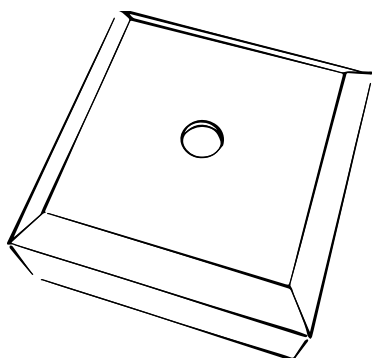


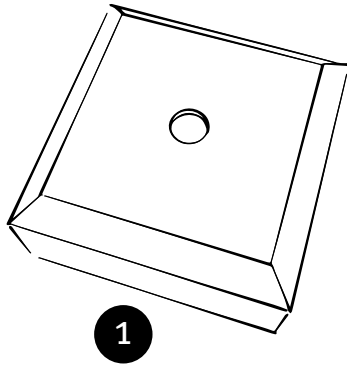
neat



LOOP

User Manual

NE41 17001-02 v1.1



LOOP kit contents

If any part is missing or is defect, please contact your reseller or distributor.

#	Denomination
1	LOOP unit

© Copyright 2017 NEAT Electronics
All rights reserved.

Document number: NE41 17001-02 v1.1

Revision date: 2019-02-28

NEAT Electronics AB

Varuvägen 2

SE-246 42 Löddeköpinge

Sweden

Phone: +46 (046) 707065

Fax: +46 (046) 707087

www.neat-group.com/se

infosweden@neat-group.com

Declaration of Conformity

Hereby NEAT Group declares that the radio equipment LOOP is in compliance with Directive 2014/53/EU. The full text of the EU declaration of conformity is available at the following internet address:

<http://www.neat-group.com/downloads/documentation>

1 LOOP unit

Loop unit has been developed to cover accesses bigger than 5 mts, connected to a D-POS II unit. With a cable of 100 meters in length, it is possible to cover accesses of around 45 meters.

2 LOOP kit versions

LOOP comes in 4 kit versions and each version is for a specific cable length.

Reference	Description	Cable length
NE10 09225-02	LOOP kit, Standard	0 - 25 m
NE10 09225-03	LOOP kit 50 m, Standard	25 - 50 m
NE10 09225-04	LOOP kit 75 m, Standard	50 - 75 m
NE10 09225-05	LOOP kit 100 m, Standard	75 - 100 m

Table 1. LOOP kit versions.



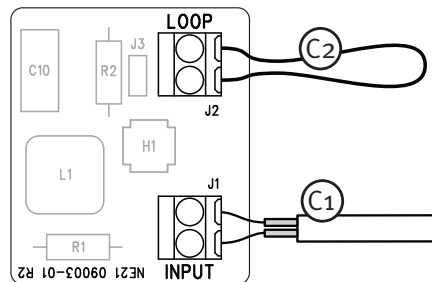
Cable length means that for example with the kit **NE10 09225-04** the antenna cable length must be **longer** than 50 m and **shorter** than 75 m.

3 LOOP connectors

- Open the cover by unscrewing the cover screw with a Philips PZ2 screwdriver.
- Connect a cable (C1) between LOOP connector J1 (INPUT) and D-POS II connector J1, positions 3 (ANT) & 4 (COM).
- Connect the loop antenna cable (C2) to connector J2 (LOOP).
- Refit the cover screw.

#	Denomination
C1	Cable from D-POS II
C2	LOOP antenna

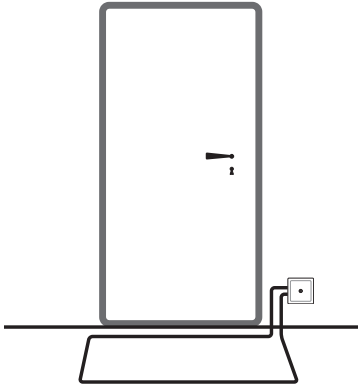
Table 2. LOOP connections.



The cables to and from LOOP must have a cable area of at least 0,4 mm² (AWG21) with a max. cable length of 100 meters.

4 LOOP floor installation

The loop cable must have a width between 70 centimeters and 1 meter to ensure the power of the magnetic field.



Picture 1. LOOP floor installation.

The depth of the loop should be as close to the surface as possible and should not exceed 10 centimeters.