



NAC-2503

30 Watt 100V Horn Speaker



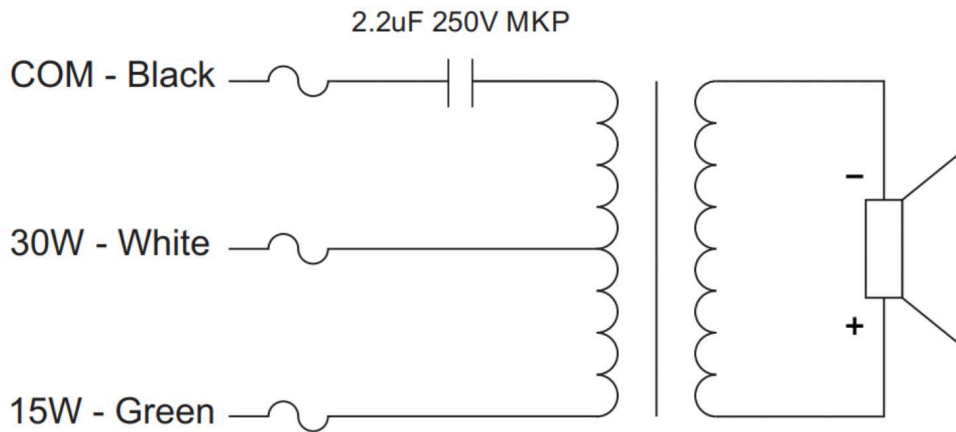
Powerful Sound Beyond Boundaries

- Horn Speaker
- Fixed Voltage
- IP66

MAIN FEATURES

The NAC-2503 horn speaker which has the characteristics of solid durability, long service life, clear sound, wide diffusion range, etc., suitable for indoor and outdoor environments such as vehicles, stations, docks, and squares. It is suitable for public security and urban management, tourism, teaching, transportation, environmental sanitation, business and other industries to broadcast and use.

CIRCUIT DIAGRAM



SPECIFICATION

POWER PARAMETERS

Rated Power Output	30W
Max Power Output	40W
Power Tapping(100V)	15W/30W

AUDIO PARAMETERS

Frequency Response	250Hz-7KHz
Sensitivity	104dB±2dB
Dispersion Angle(@1kHz/-6dB)	140
Rated Input Voltage	100V

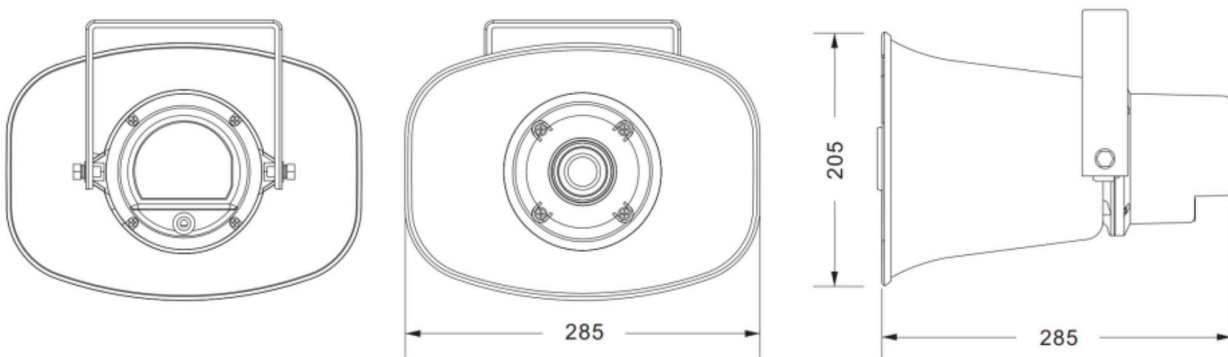
ACCESSORIES

- 1 × Horn Speaker
- 1 × Quick Installation Guide
- 1 × Quality Certificate And Warranty Card

MECHANICAL&ENVIRONMENT PROPERTIES

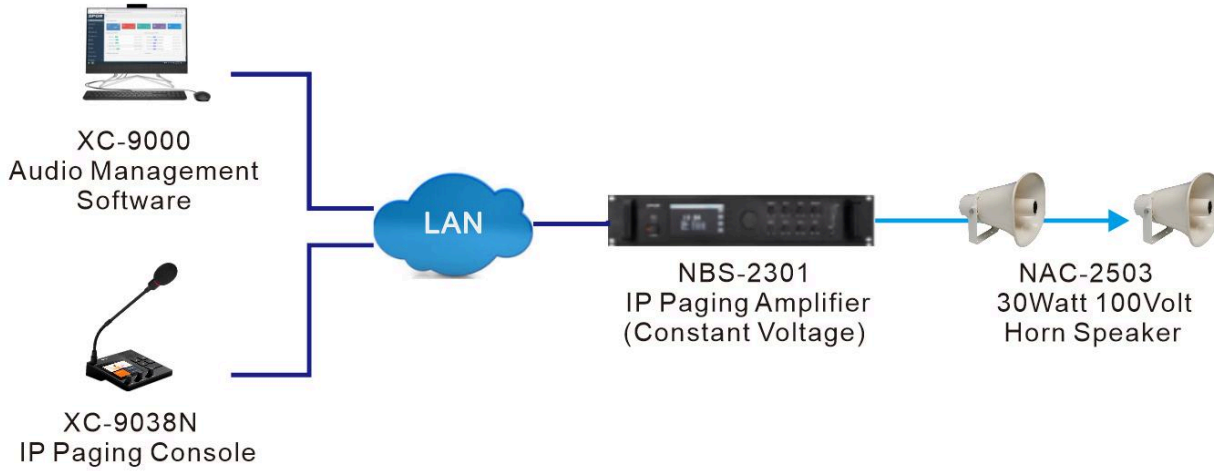
Mounting Method	Wall-Mounted Or Podetium
Installation Environment	Outdoor Locations
Operatiing Temperature	-25°C~+55°C
Operating Humidity	<95%
Body Material	ABS
Production Level	IP66
Color	White
Product Dimensions	285×205×285mm
Product Weight	2.1Kg
Product Warranty	2 Years

DIMENSIONAL DRAWING



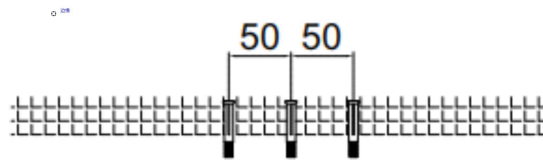
APPLICATIONS

The 30Watt 100Volt Horn Speaker NAC-2503 can be connected with constant voltage amplifier for receiving broadcast or announcement from Audio Management Software or IP paging console .

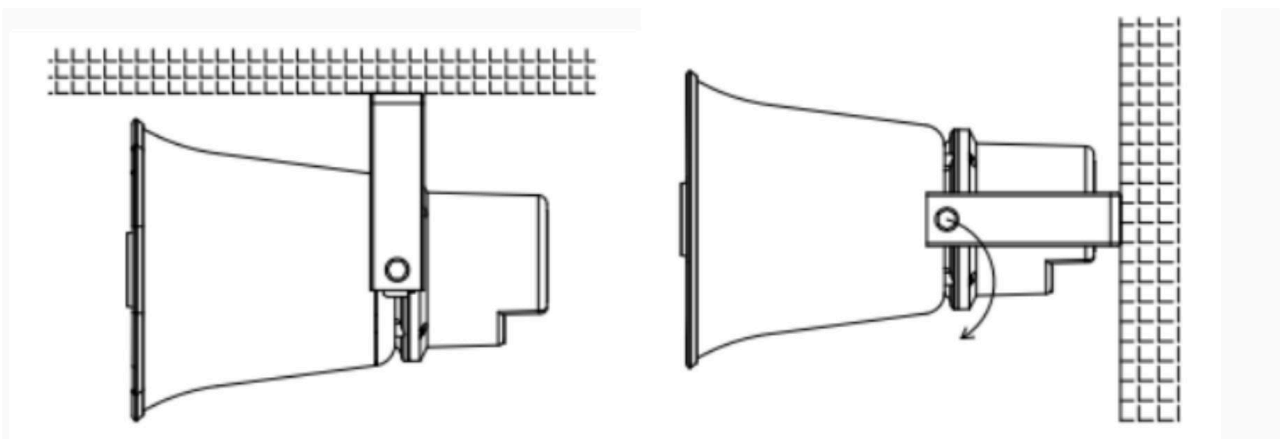


INSTALLATION DIAGRAM

1. First, drill 3 mounting holes suitable for M10 expansion screw on the wall, the distance between the holes is 50mm, and then use M10 expansion screw.



2. Align the hole on the product bracket with the pre-madescrew on the wall, lock the M10 nut, and fix the product on the wall.



CASE

