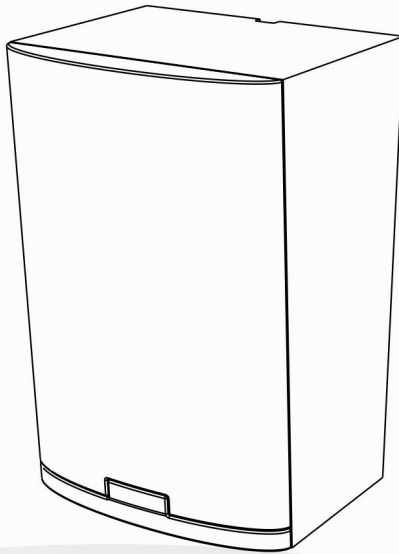


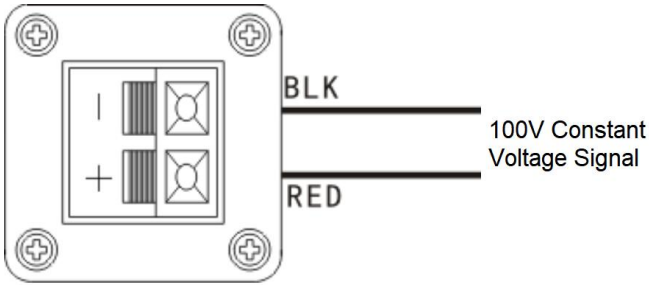


INDOOR SPEAKER

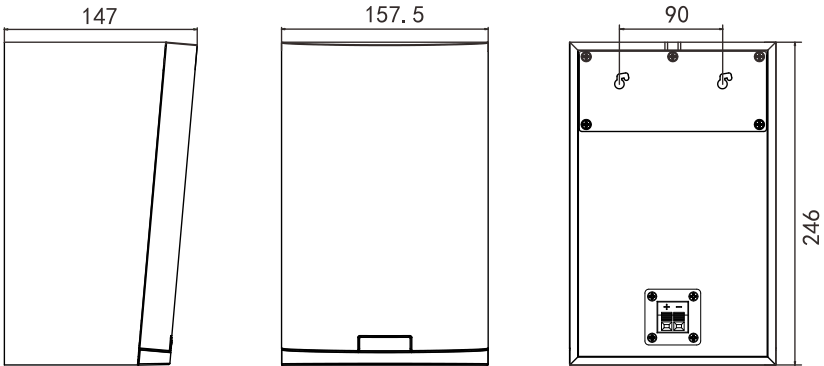
Installation manual



Connection Diagram

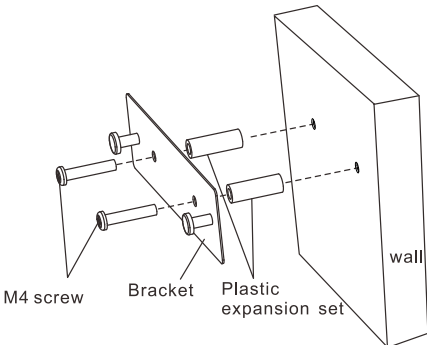


Appearance Installation Dimension (Unit: mm)

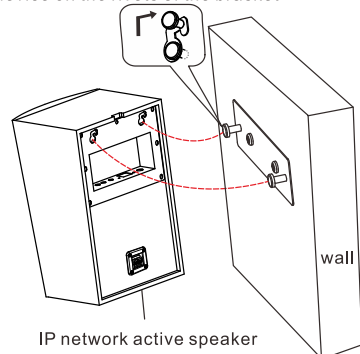


Installation Diagram

1. Use 2 plastic expansion sleeves and 2 M4 screws to install the bracket horizontally on the wall.



2. Align the two mounting holes on the back of the device with the two rivets of the bracket (insert it from the large opening of the mounting hole, and then move it up and right to jam), and buckle the device on the rivets of the bracket.



Note:

(1) When installing, please ensure the strength of the installation surface. It cannot be directly installed on a wall with insufficient strength such as gypsum board. If necessary, please fully reinforce the installation position.

(2) For products with wireless modules, without interference from the same frequency band, the installation height of the finished product can be controlled $\leq 3m$. At the same time, the distance from the on-site wireless router must be $\geq 1m$.

Specification, Function parts and parameters

Type	Indoor wooden speaker
Back cover	/
Power	70V/100V
Impedance	10W
Sensitivity	92dB \pm 3 dB
Frequency response	200HZ~20KHZ
Finished products	Shell: ABS hoary Net: hoary
Installation method	Wall-mounted
Dimension	246 x157 x 147mm
Net gross weight	1KG

Packing list



Plastic expansion set 3pcs (F7)



Cup head self-tapping screws 3pcs (M4*35)



Bracket 1pcs



Installation manual 1pcs



Certification 1pcs



Wechat

SPON Communications Co., Ltd.
www.sponcomm.com
Service Hotline: +86-731-85570190
Reserve the amendment right without notice

