

NAS-8507B

IP Outdoor Column Speaker



SIP column loudspeaker NAS-8507B adopts wall mounted installation design, equipping with power input interface, line input interface, RJ45 network interface ect. The device supports receiving broadcasting initiating from terminal or software with clear and powerful sound quality .

MAIN FUNCTIONS

- 1.Integration of wall-mounted design, excellent workmanship, network audio decode, amplifier and loudspeaker.
- 2.Using high quality waterproof aluminum.
- 3.High speed industrial grade dual-core (ARM+DSP) chips, run-up time ≤ 1 second.
- 4.Built-in power amplifier , 30W/40W is available
- 5.Capable of realizing on-time belling , real-time sound collecting and playing, remote adjusting sound volume together use of software.
- 6.Possessing loop-fault-detect function to check the speaker's working status and to display it on the software.
- 7.With 1×Alarm Input and 1×Audio Input.
- 8.Realizing personalized configuration through managing the speaker's network parameters, audio parameters, task priority in web page.
- 9.Equipped with standard Rj45 interface ,accessible to the system wherever Ethernet is available,supporting cross-segment and cross-router.



SPECIFICATION

Power Parameters

Power Supply:DC 24V/2.75A

Standby Power Consumption:≤40W

Rated Power Output:30W(8Ω)、40W(8Ω)

Audio Parameters

Audio Codec:MP2/MP3/PCM/ADPCM

S/N (Signal-to-Noise) Ratio:≥85dB, 50-20KHz

Audio Sampling & Bit Rate:8kHz~44.1kHz, 16bit, 8kbps-320kbps

THD (Total Harmonic Distortion):≤1% @1kHz

Frequency Response:50Hz~20KHz

Network Parameters

Network I/F:10BASE-T/100BASE-TX RJ45

Network Protocol:TCP/IP、UDP、SIP、ARP、ICMP、IGMP

Configuration Method:Web Interface or DevConfig Tool

Mechanical&Environment Properties

Mounting Method:Wall-Mounted

Installation Environment:IPX5

Operating Temperature:-20°C~+50°C (14°F~113°F)

Operating Humidity:10%~90% RH non-condensing

Product Dimensions:83.2x88.1x450mm/ 83.2x88.1x600mm

Product Weight:2.15KG/2.75KG

Warranty:2 Years

Accessories

2 x Datechable Terminal (3.81-2P)

1 x Silica Gel Coil (SPSI-14)

1 x Nut (M6)

1 x The Cross-Hexagonal Screw (M6*20)

1 x Waterproof Tail Circuit Interface

1 x Fixed Bracket

1 x Plastic Coil

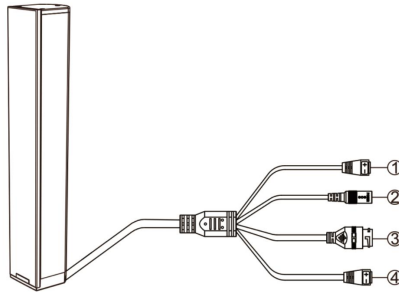
1 x Mounting Bracket

1 x Installation Manual

1 x Certification

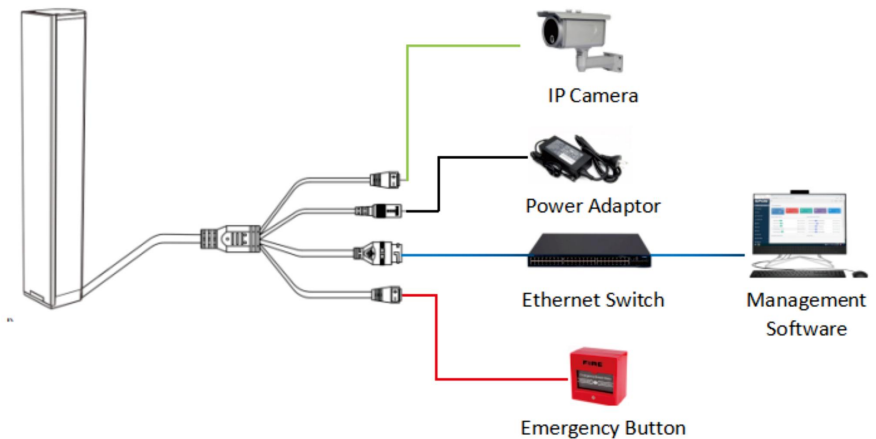


INTERFACE



- ① Line input (2P green end)
- ② Power supply interface :DC24V
- ③ Network interface : plugging network cable and connecting to switch Status of network light : no light means the device is offline . Slowly flash means the device is online ; Fast flash means the device is receiving broadcast .
- ④ Alarm input (2P Black End) : When alarm input is triggered , the device will automatically play pre-set up audio file under FTP server [Ringtone]-[ShortIn]. (At the status of device offline)

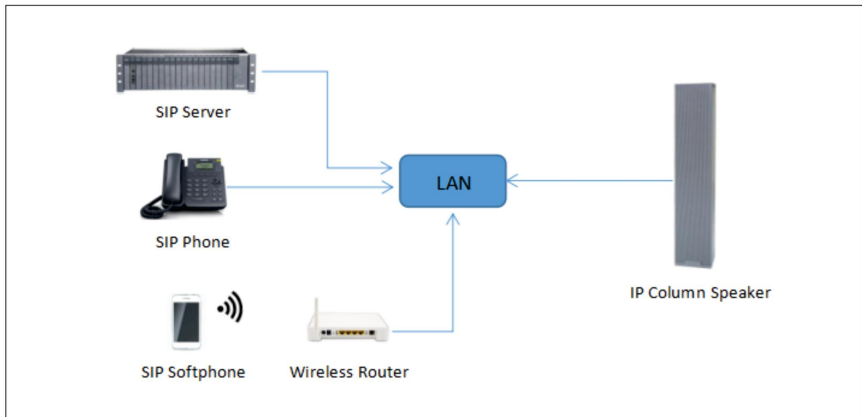
CONNECTION DIAGRAM



APPLICATION

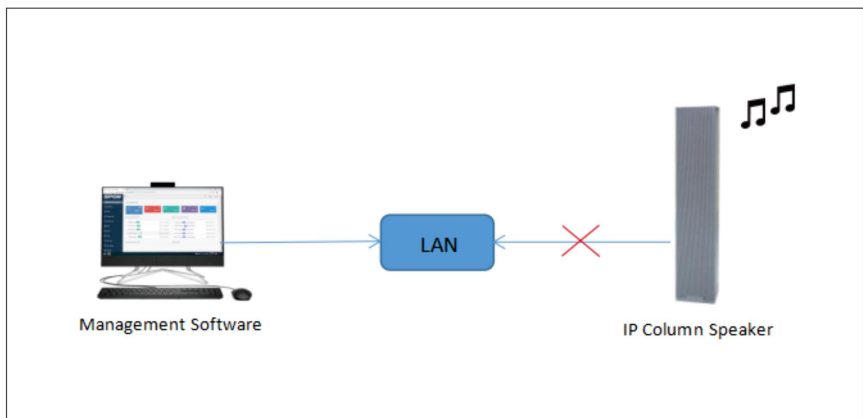
Application 1

The IP Outdoor Column Speaker NAS-8507B supports standard SIP protocol , it can be independently registered to the 3rd-party SIP server for receiving sip calling from SIP telephone or SIP softphone .



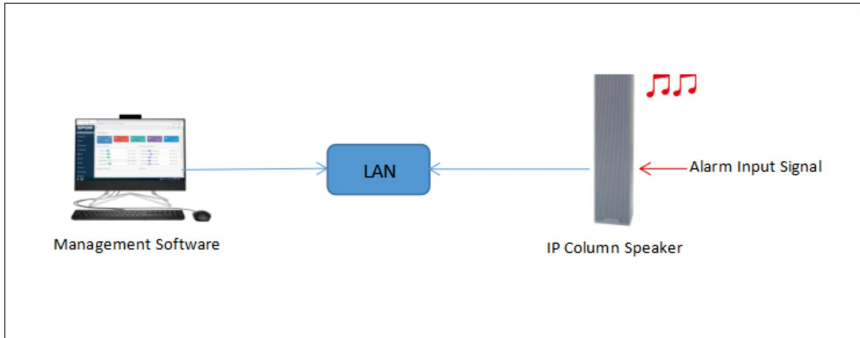
Application 2

The IP Outdoor Column Speaker NAS-8507B supports offline timed broadcasting , the offline timed task which can be set and push to the speaker on software , the speaker will automatic timed palying when it is offline .

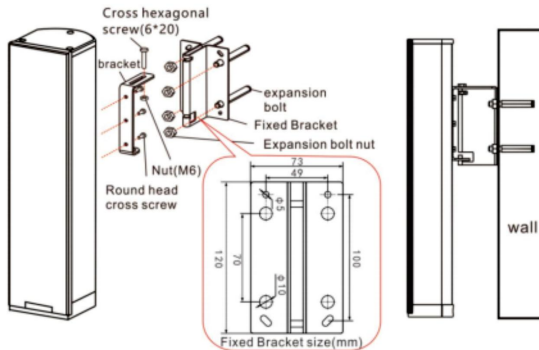


Application 3

The IP Outdoor Column Speaker NAS-8507B supports local broadcasting via the alarm input interface, when a relay input signal is given to the speaker, it will trigger the alarm audio file which store in the speaker to play.



INSTALLATION



- (1) The installation method of this equipment is vertical installation (horizontal installation is not allowed), with the outlet end facing downward and without blocking the leakage hole.
- (2) The equipment is suitable for installation on concrete structural walls. During installation, please ensure the strength of the installation surface, and do not directly install on walls with insufficient strength such as gypsum board. If necessary, please fully reinforce the installation position to avoid falling accidents.
- (3) The non-standard parts of expansion bolts should be provided by yourself as required.
- (4) For additional installation requirements, please call the company to ensure that the installation is effective and has good waterproof performance.

