

# NAS-8523CV

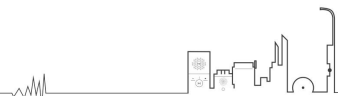
## IP POE Video Intercom Station



SPON IP POE Video Intercom Station NAS-8523CV with a separate microphone and speaker, allowing full duplex single-way video conversations with Master Stations. It is equipped with one assignable call button which used for any indoor environment .

## MAIN FUNCTIONS

1. With 6mm aluminum panel, anti-stab protection and special screws to prevent vandalism.
2. With Built-in 1080P ultra-clear camera.
3. With built-in 3W speaker and microphone ,available for hands-free calls.
4. With line-output interface to connect with external active speaker or earphone.
5. With relay I/O interface for system linkage or access control.
6. Support offline calling without management software , the offline call target can be pre-definded on its web UI.
7. Support one press calling ,the call target can be pre-definded on management software.
8. Support standard SIP protocol for easy intergration with mainstream SIP PBX(Yeastar、Asterisk、Cisco,etc,).
9. Support IEEE 802.3af interface for flexible deployment .



## SPECIFICATION

### Power Parameters

---

Power Supply: DC24V/1A、PoE IEEE802.3af

Standby Power Consumption:≤3W

### Audio & Video Parameters

---

S/N (Signal-to-Noise) Ratio:Broadcast-Speaker:81dB、Broadcast-Line:88dB、

Line in-Record out:82dB

Audio Sampling & Bit Rate:22.05KHz 16bit、8kbps-320kbps

Video Transmission Bit Rate:512Kbps-4Mbps

Video Coding:VGA/720P/1080P

Built-in Speaker(Power output):3W

Built-in Speaker(Impedance):8ohm

Built-in Mic:Electret Microphone

Built-in Mic(Sensitivity):-45±3dB

Built-in Mic(Directivity):Omnidirectional

Harmonic Distortion: < 1%

Frequency Respinse:40Hz~10KHz (WAV) 、50Hz~20KHz (MP3)

### Network Parameters

---

Network I/F:10BASE-T/100BASE-TX RJ45

Network Protocol:TCP/IP、UDP、ARP、ICMP、IGMP、SIP、HTTP、FTP

Configuartion Method:Web Interface

### Mechanical&Environment Properties

---

Mounting Method:Wall-mounted

Installation Environment:Dry Indoor Locations

Operating Temperature:-20°C~55°C (-4°F~131°F)

Operating Humidity:≤90% RH non-condensing

Body Material:Aluminium alloy

Color:Silver

Back Shell Material:Steel

Product Dimension:101x191x51mm

Product Weight:0.95 kg

Product Warranty:2 Years

### ACCESSORIES

---

1×Power Adaptor(24V/1A)、4×Allen Screw(M3\*12)、1×Allen Wrench(2.5mm)

1×Wiring Terminal(3.5-2P)、1×Wiring Terminal(3.5-3P)

4×Half Round Head Philips Screw(ST4\*25)

1×Red-Black Line(X2-80)

1×Red-White Line(X12-100)

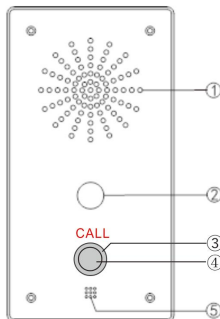
1×Quality Certificate&Warranty Card

1×Quick Installation Guide



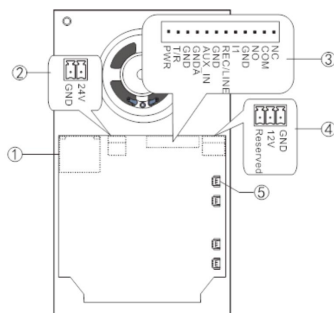
## INTERFACE DESCRIPTION

[Front]



- ① Loudspeaker
- ② Camera: Restore the local video.
- ③ Status Indicator Ring: When the device is broadcasting or intercom, the indicator flashes quickly; when online is idle, the indicator light is always on; when offline, the indicator flashes slowly
- ④ Call Button (optional single button or two button): Press the left and right buttons to call the target terminal specified by the service software;
- ⑤ Pickup Microphone: pick up the local voice.

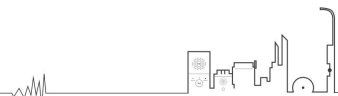
[Back]



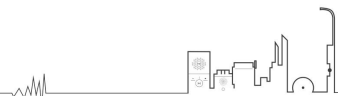
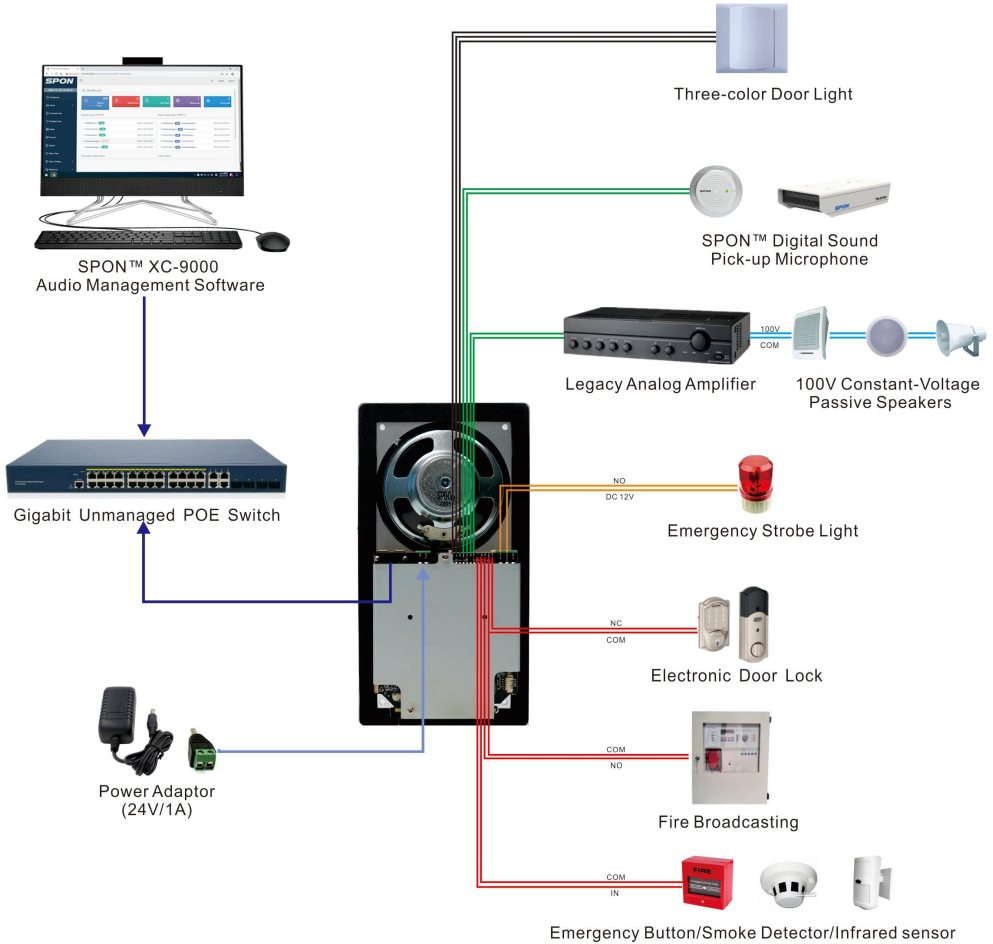
- ① Network port: insert the network cable and connect to the server(support POE power supply)
- ② Power interface: DC24V/DC12V power input
- ③ Comprehensive interface and function definition are shown in the figure below:IP

• NC	} Alarm output (NC: Normally closed, COM: COM, NO: Normally open)
• COM	
• NO	
• GND	} Alarm input 1 (GND: Ground, I1: Alarm input1)
• I1	
• REC/LINE	} Record out/Line out interface (REC/LINE: Signal, GND:ground)
• GND	
• AUX_IN	} Line in interface (AUX_IN: Signal, GND: Analog ground)
• GND	
• T/R	} Three-color door light interface (GND: Ground, T/R: Signal, PWR: Power)
• PWR	

- ④ Controlled power output interface: DC12V power output
- ⑤ Alarm input interface 2: Reserved



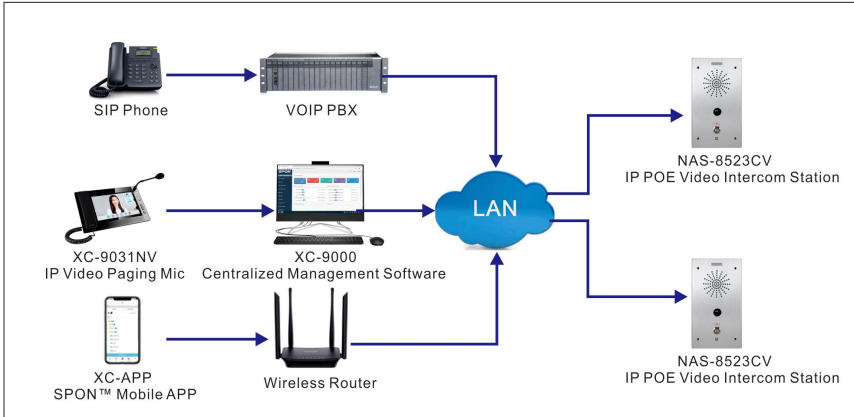
# CONNECTION DRAWING



## APPLICATION

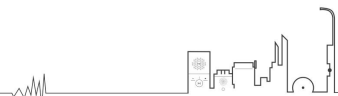
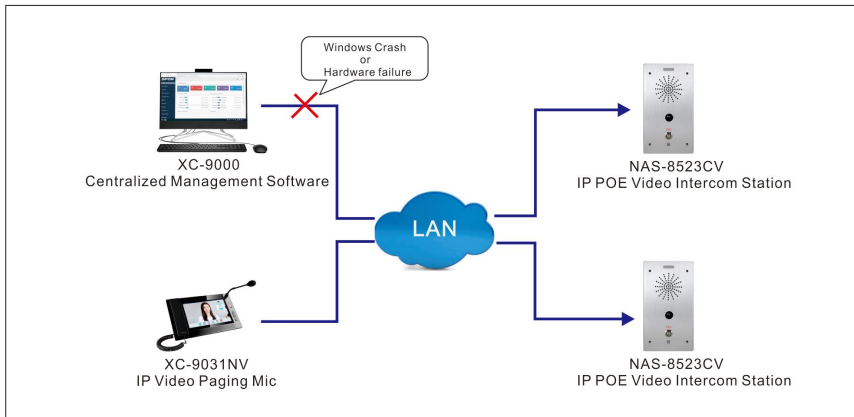
### Application 1

The IP POE Video Intercom Station NAS-8523CV support SIP protocol which can be independently used as a sip endpoint to integrated with mainstream VOIP system for receiving sip call from SIP phone or SIP softphone ; Meanwhile , it also can receive call from SPON IP paging microphone or mobile APP under the SPON management software .



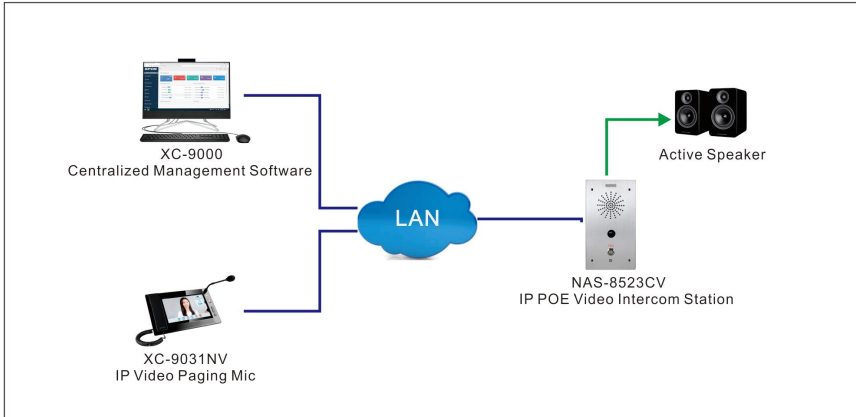
### Application 2

The IP POE Video Intercom Station NAS-8523CV support offline intercom function , it can receive and initiate offline calling without centralized software , the offline call target can be set on its webpage.



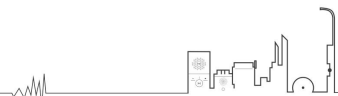
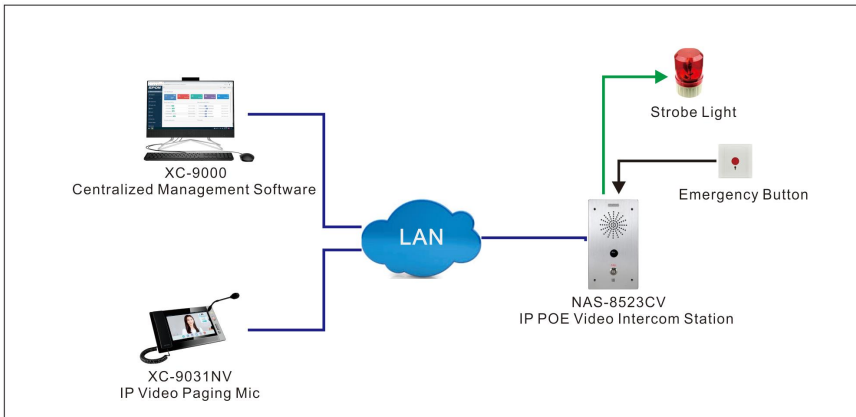
**Application 3**

The IP POE Video Intercom Station NAS-8523CV with built-in speaker and line output interface which can receive broadcasting from IP paging mic or Centralized management software , user can choose the sound out from built-in speaker or external active speaker.

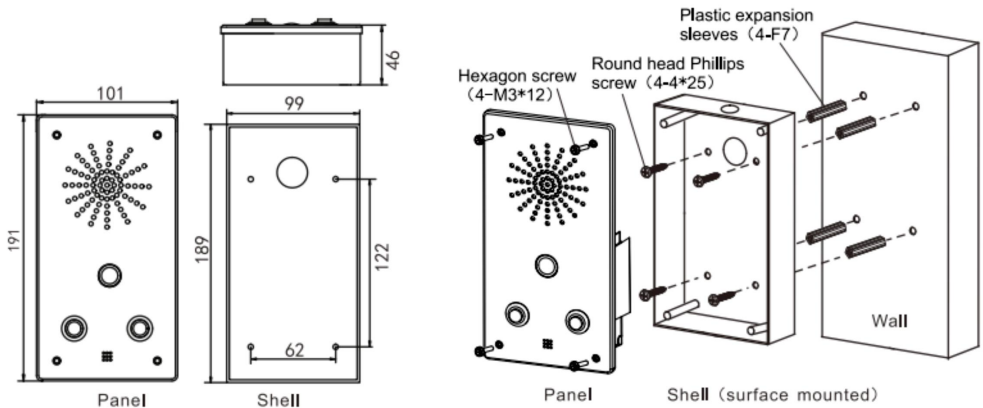


**Application 4**

The IP POE Video Intercom Station NAS-8523CV with relay I/O interface which can be connect with emergency button or smoke detector 、strobe light or electronic door lock . During intercom call , the relay output can be triggered by the remote IP paging mic .User also can set the task of triggering the automatic call through the emergency button in the software.



## DIMENSION &amp; INSTALLATION

**Installation instructions:**

First use 4 plastic expansion sleeves and round head Phillips screws to install the bottom shell in a suitable position, then use 4pcs M3\*12 hexagon socket screws to fix the panel on the bottom shell.

