

NEP-6022V

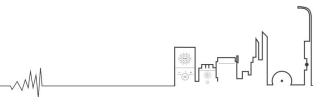
IP Video Anti-Explosion Intercom Station



SPON IP Video Anti-Explosion Intercom Station adopts stainless steel cabinet ,stable and durable , its protection level can be reached to IP 68. It can be deployed in Oil Refineries, Chemical Plants ,Gas Station and other places with explosive gas and dust.

MAIN FUNCTIONS

1. Built-in HD wide Angle camera, adopts H.264 coding.
2. With numerical keypad which can call to any target station.
3. User-defined quick call target to achieve one-click call.
4. Compatible with standard SIP protocol, can be registered to VoIP telephone system (mainstream IP PBX such as Asterisk, Yealink, etc.) independently.
5. Support initiate all-zone broadcasting and receive broadcasting from software.
6. Supporting initiating & receiving offline intercom without centralized management server software.
7. Built-in digital amplifier to connect with external anti-explosion speaker.
8. Equipped with 1×Relay Output interface for linkage with external devices.
9. Equipped with 1×Relay Input interface to be connected with emergency button, infrared detector or smoke detector.
9. Equipped with standard RJ45 interface, accessible to the system wherever
10. Ethernet is available, supporting cross-segment and cross-router.



SPECIFICATION

Power Parameters

Power Supply:AC 220V, 50Hz

Standby Power Consumption: \leq 50W

Audio & Video Parameters

Audio Sampling & Bit Rate:8kHz~44.1kHz, 16bit, 8kbps~320kbps

Built-in Amplifier:8 Ω , 30W

Audio Coding:PCM/ADPCM/WAV

Camera:CMOS

Video Coding:H.264

Video Transmission Bit Rate:96Kbps-1024Kbps

Network Parameters

Network I/F:10BASE-T/100BASE-TX RJ45

Network Protocol:TCP/IP、UDP、ARP、ICMP、SIP、IGMP、ONVIF

Configuration Method:Web Interface or DevConfig Tool

Mechanical&Environment Properties

Mounting Method:Wall-Mounted Installation

Installation Environment:Outdoor Locations

Operating Temperature:-20 $^{\circ}$ C~+40 $^{\circ}$ C

Operating Humidity: \leq 90% RH non-condensing

Front Panel Material:Stainless Steel

Color:Silver

Product Dimensions:356x402x178mm

Product Weight:19Kg

Protection Level:IP68

Product Warranty:2 Years Limited

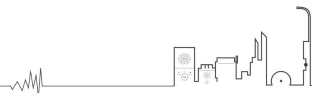
Accessories

Standard Accessories:

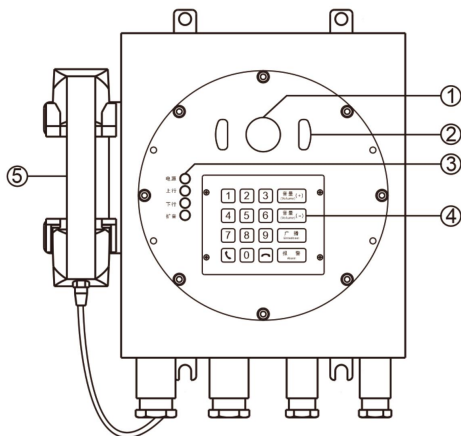
4 \times Expansion Screws (M10 x 60, including spring washer, washer, and nut)

1 \times Operation Guide

1 \times Installation Manual



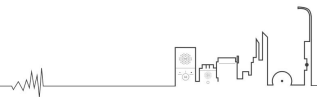
INTERFACE



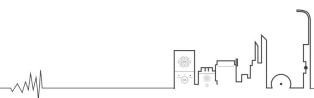
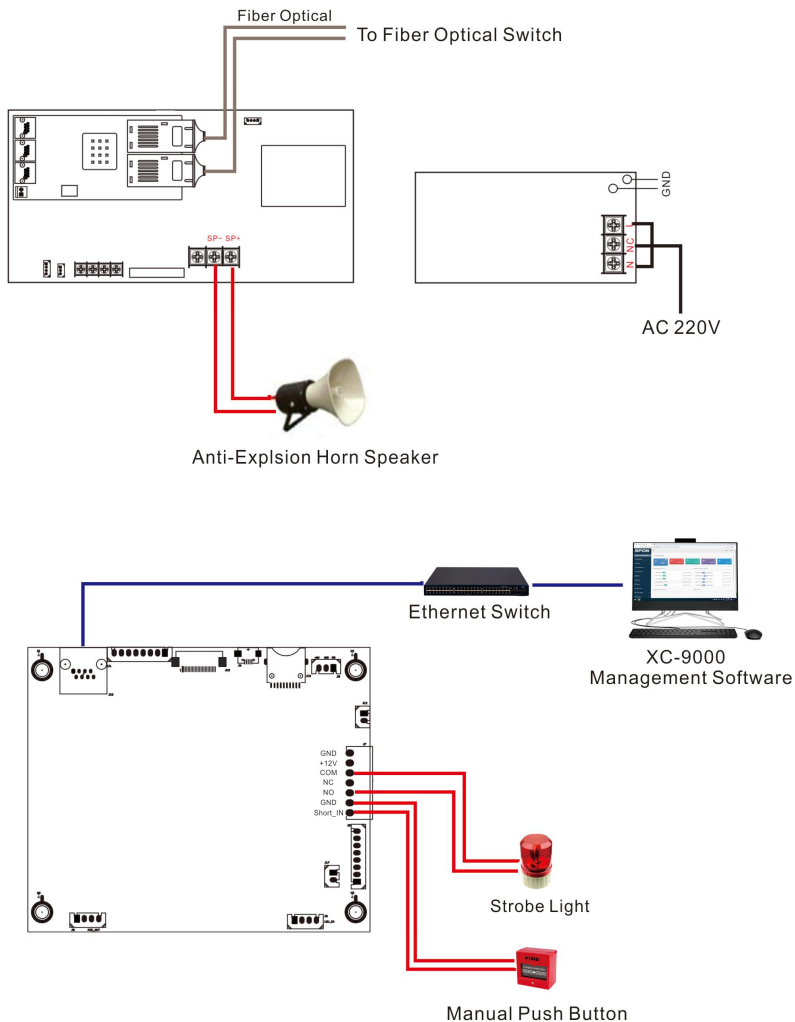
- ① Camera
- ② Fill-in Light
- ③ Status Light

Power Supply	Indicator light steady on: The power supply of the terminal is working normally.
Uplink	Uplink indicator blinking: Data is being transmitted over the uplink optical fiber.
Downlink	Downlink indicator blinking: Data is being transmitted over the downlink optical fiber.
Amplifier	Amplifier indicator light is on: the power amplifier of the terminal is turned on; Otherwise close.

- ④ Functional Keys
- ⑤ Handset



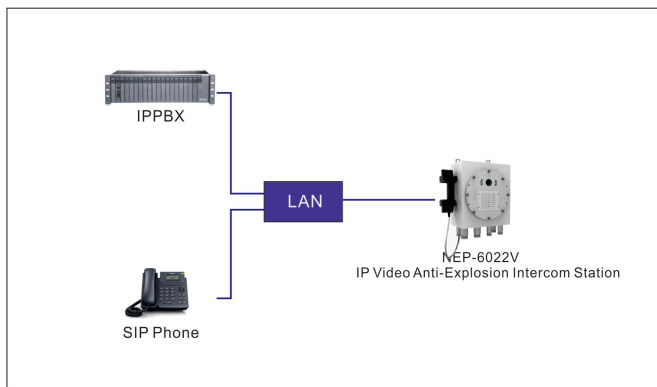
CONNECTION DIAGRAM



APPLICATION

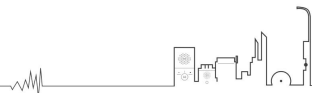
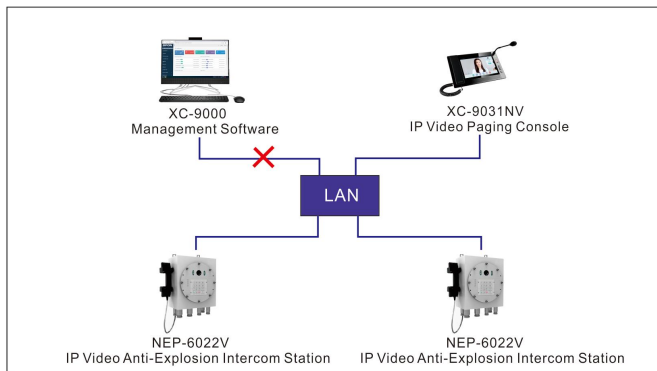
Application 1

IP Video Anti-Explosion Intercom Station NEP-6022V support standard sip protocol ,can be registered to IPPBX to make a two-way audio intercom with sip phone .



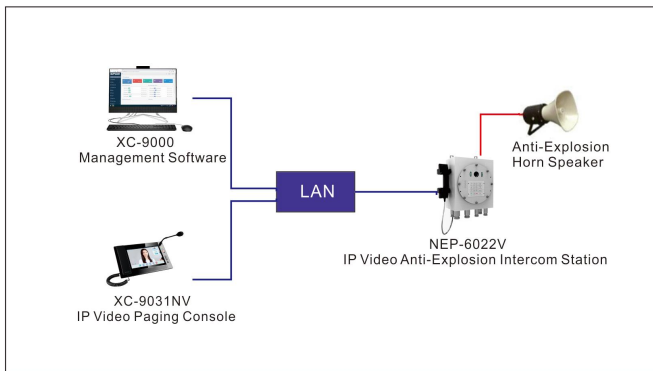
Application 2

IP Video Anti-Explosion Intercom Station NEP-6022V support offline intercom function, when the Windows OS or PC hardware get trouble , the NEP-6022V can make offline intercom with IP paging mic ,the call target can be set on its webpage.

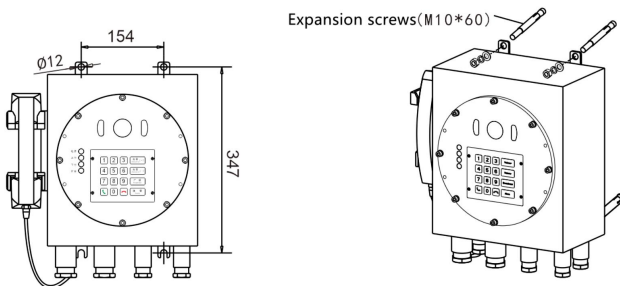


Application 3

IP Video Anti-Explosion Intercom Station NEP-6022V with built-in amplifier to connect with anti-explosion horn speaker, when receive broadcasting from IP paging mic or management software, the sound can output from horn speaker.



INSTALLATION



Installation instructions: Drill 14mm in diameter and 60mm in depth expansion bolts at the installation position of the device. Hammer the expansion screws into the holes, and secure the terminals to the expansion screws using nuts, washers, or spring washers.

