

XC-9037N

IP Audio Intercom Master Station



SPON IP Audio Intercom Master Station XC-9037N is a network high-fidelity audio intercom paging microphone based on TCP/IP, SIP, UDP and other transmission protocols. It can realize intercom, paging and control operations. It has the characteristics of high stability of traditional paging stations, stable and reliable operation and low failure rate. Signal digital transmission design, intelligent control as the core.

MAIN FUNCTIONS

1. 7 inch high definition display; capacitive touch screen; resolution: 800(H)×1280(V)
2. Built-in digital audio processor, full duplex and hands-free audio intercom.
3. Support file broadcast, pre-record broadcast, TTS broadcast to designated zones or terminal.
4. Support of initiating & receiving offline call without server relies.
5. Support standard SIP protocol for easy intergration with mainstream SIP PBX (Yeastar, Asterisk, Cisco, etc.).
6. Support online viewing of the working status of other terminals, which is convenient for debugging and maintenance.
7. Support self-defined ringtone of incoming call and broadcast.
8. Support incoming/outgoing call record and query function.



SPECIFICATION

Power Parameters

Power Supply:DC12V , 1.5A

Standby Power Consumption:≤10W

Audio & Video Parameters

Audio Codec:MP3, PCM, ADPCM

Audio Sampling & Bit Rate:8kHz~44.1kHz, 16bit, 8kbps~320kbps

Built-in Speaker:1.5W ,4Ω

S/N:>82dB

Frequency Response:40Hz-18KHz

Camera:2 million pixels

Network Parameters

Network I/F:10BASE-T/100BASE-TX RJ45

Network Protocol:TCP/IP、UDP、ARP、ICMP、IGMP、HTTP、SIP

Configuration Method:Web Interface or DevConfig Tool

Mechanical&Environment Properties

Display Screen:7 inch(1280*800); capacitive touch screen;

CPU:4-core ARM

RAM:1G

Memory:4G

Mounting Method:Desktop

Installation Environment:Dry Indoor Locations Only

Operating Temperature:0℃~+45℃ (32°F~113°F)

Operating Humidity:≤90% RH non-condensing

Front Panel Material:Aluminium Alloy

Housing Material:ABS

Color:Black

Product Dimensions:183.9x169.0x58.4mm

Product Weight:0.75KG

Product Warranty:2 Years Limited

Accessories

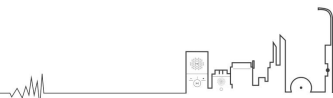
1×Quick Installation Guide

1×Terminal Blocks(3.55P)

1×Power Adaptor(DC24V/1A)

1×Certificate and warranty card

1×Microphone Rods(IM 320B)



INTERFACE DESCRIPTION

[Front Panel]



- ①Rods Socket : Plug the microphone rods to collect sounds
- ②Speaker: Restores the remote and local sounds
- ③Touch Screen

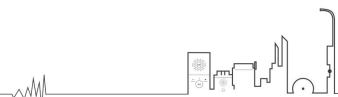
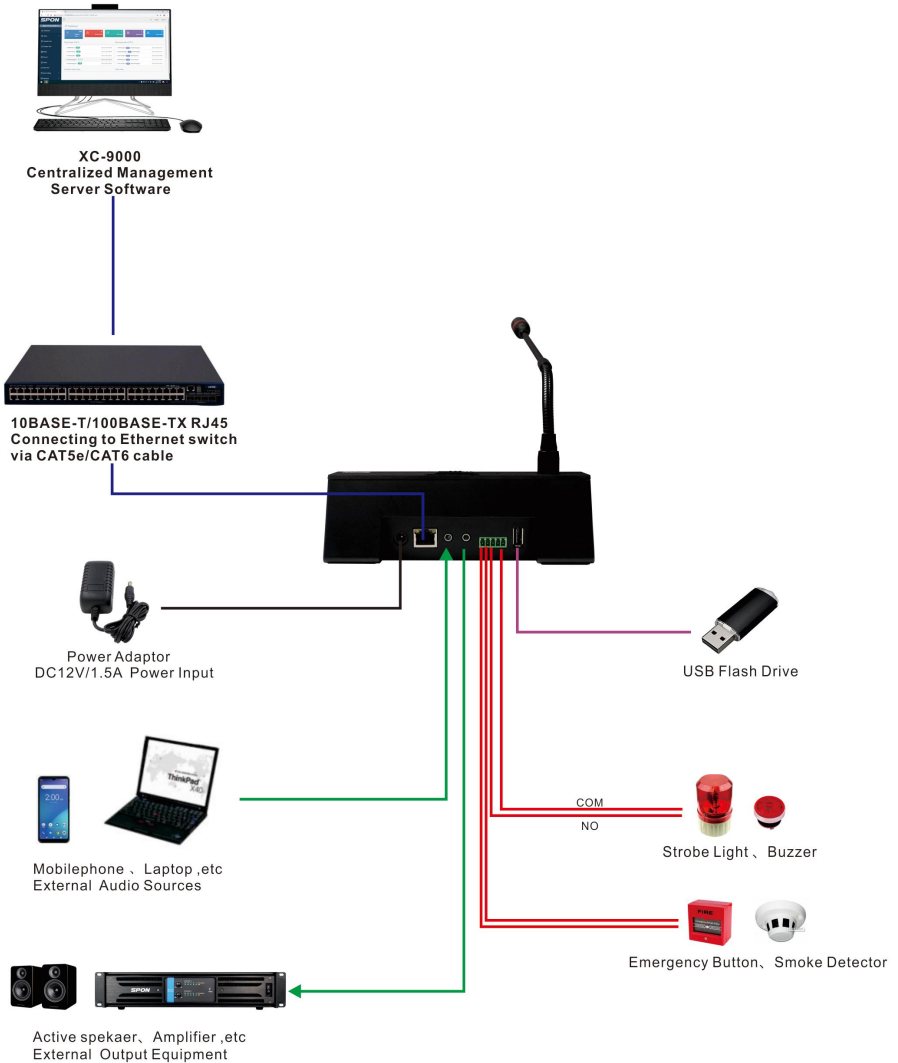
[Rear Panel]



- ①Power Input Port: Connect with DC12V/1.5A power adaptor .
- ②Network Port: To connect with Ethernet switch .
- ③Audio Input Port:To connect with mobile phone or laptop ,etc.
- ④Audio Output Port: To connect with active speaker or amplifier.
- ⑤Relay Input Port: To connect with emergency button ,etc.
- ⑥Relay Output Port: To connect with strobe light 、 buzzer , etc.
- ⑦USB Port: Store the audio/txt file for broadcast.



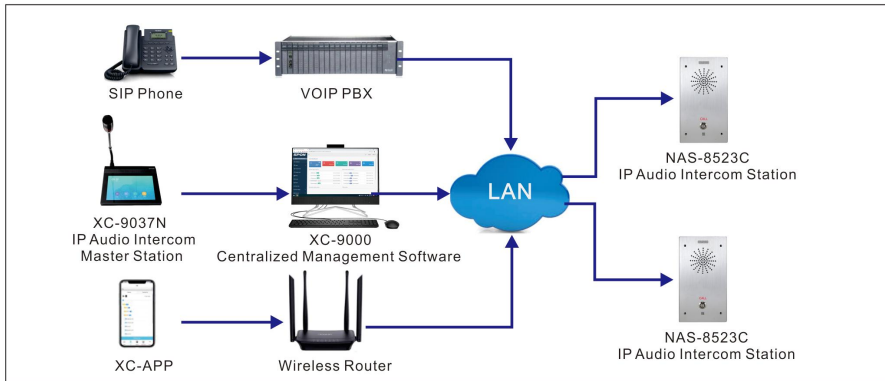
CONNECTION DIAGRAM



TYPICAL APPLICATION

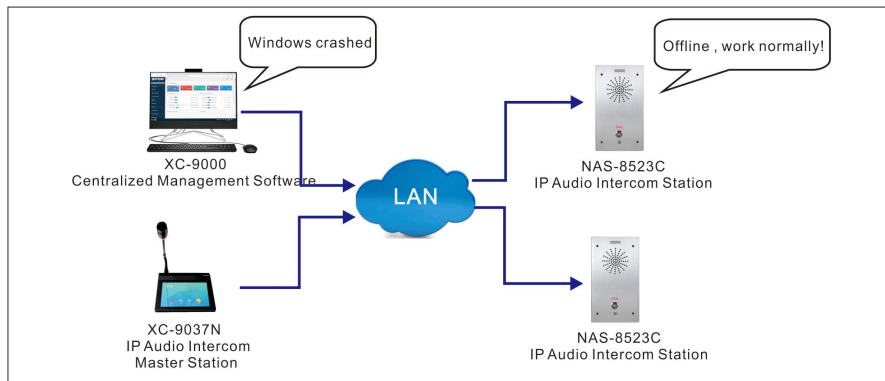
APPLICATION 1

The IP Audio Intercom Master Station XC-9037N can initiate and receive audio intercom with the 3-rd party VOIP telephone、SPON IP audio intercom station ,APP(Windows、Android/IOS),etc. Built-in mic for full duplex communication.



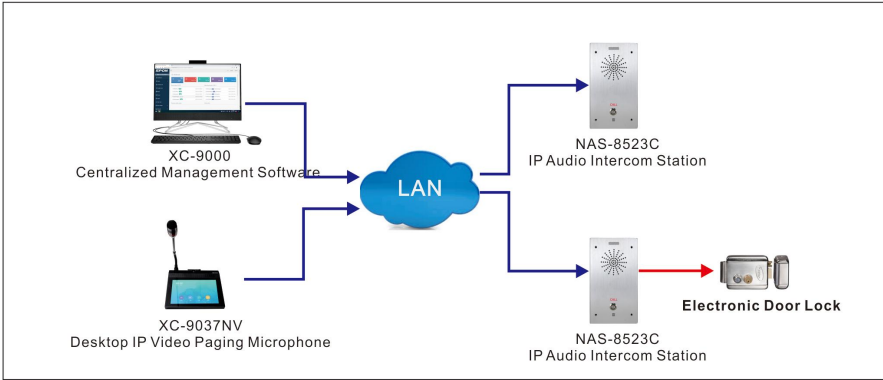
APPLICATION 2

The IP Audio Intercom Master Station XC-9037N support offline intercom , the offline call target need to pre-set on its webpage, when the windwos crashed , the system can normally work .



APPLICATION3

The IP Audio Intercom Master Station XC-9037N support multi-party call function and remote door release function ,easy configuration and operation.



DIMENSION DRAWING

