

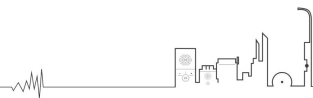
XC-9508 IP Paging Amplifier



SPON XC-9508 IP paging amplifier provides multiple connections from a microphone input to a relay output, that's why the amplifier is universally suitable for any size of application. In order to avoid cabling costs and be more flexible, the amplifier is specifically optimised for installation either in a 19" rack or on-site.

MAIN FUNCTIONS

1. 1 U rack design, flexible and durable.
2. Built-in digital Class-D 260W amplifier, loudspeaker connectors for 100V powered loudspeakers.
3. With multiple status indicator light on the front panel, easier maintenance.
4. Built-in complete protection circuit, support overload, overheating, power supply & line lightning protection.
5. Built-in large capacity storage, support of uploading and remote updating the timed tasks and alarm files.
6. Compatible with standard SIP protocol, it can be easily integrated into mainstream VoIP telephone system (Yeastar, Asterisk, Cisso, etc).
7. Support offline broadcasting without server relies.
8. Support to receive live voice announcement from the 3-rd party VOIP telephone system or SPON centralized management software.
9. Support Relay I/O port to connect with the 3-rd party Firm alarm system.



SPECIFICATION

Power Parameters

Power Supply: AC 100V-240V, 50/60Hz
Rated Output: 260W
Power Consumption: \leq 320W

Audio Parameters

Audio Codec: MP3, PCM, ADPCM, G.711 A-law, G.711 μ -law, G.729
S/N (Signal-to-Noise) Ratio: \geq 84dB
Audio Sampling & Bit Rate: 8kHz~44.1kHz, 16bit, 8kbps~320kbps
THD (Total Harmonic Distortion): \leq 0.5% at 1kHz, 1/2 rated output
Frequency Response: 60Hz~16kHz

Network Parameters

Network I/F: 10BASE-T/100BASE-TX RJ45
Network Protocol: SIP, FTP, HTTP, RTP, TCP/IP, UDP, ARP, ICMP, IGMP
Configuration Method: Web Interface or DevConfig Tool

Mechanical&Environment Properties

Mounting Method: 1U Rack-Mounted
Installation Environment: Dry Indoor Locations Only
Operating Temperature: 0°C ~ +45°C (32°F ~ 113°F)
Storage Temperature: -20°C ~ +55°C (-4°F ~ 131°F)
Operating Humidity: \leq 90% RH non-condensing
Heat Dissipation: Intelligent Temperature Control, Forced Air Cooling
Protection: Over-Current Protection, Short-Circuit Protection, Overload Protection, Thermal Protection, Lightning Protection, Surge Protection
Front Panel Material: Surface-Treated Steel Plate
Housing Material: Surface-Treated Steel Plate
Color: Black
Product Dimensions: 440x300x44mm
Product Weight: 3.5KG
Packaging: Carton Box
Packed Dimensions: 580x350x140mm
Packed Weight: 4.6KG
Product Warranty: 2 Years Limited

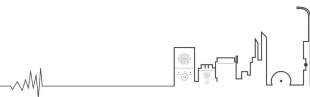
Accessories

Standard Accessories: 2×5-Pin Pluggable Terminal Block Connector (3.81mm Pitch, AWG 26-16)、1×4-Pin Pluggable Terminal Block Connector (7.62mm Pitch, AWG 28 12)、8×Flat Head Screw、4×3M™ Floor Pad、2×Rack Mounting Bracket、1×Quick Installation Guide、1×Quality Certificate、1×Warranty Card

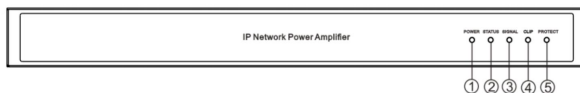
Optional Accessories: Power Cord (IEC C13 Female - Type B/F/G Power Plug)

Compliance

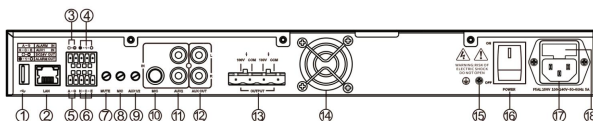
Approved Standards: CE (EMC Directive 2014/30/EU)
CE (LVD Directive 2014/35/EU)



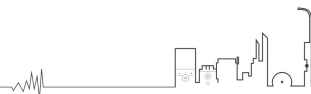
INTERFACE DESCRIPTION



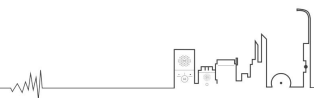
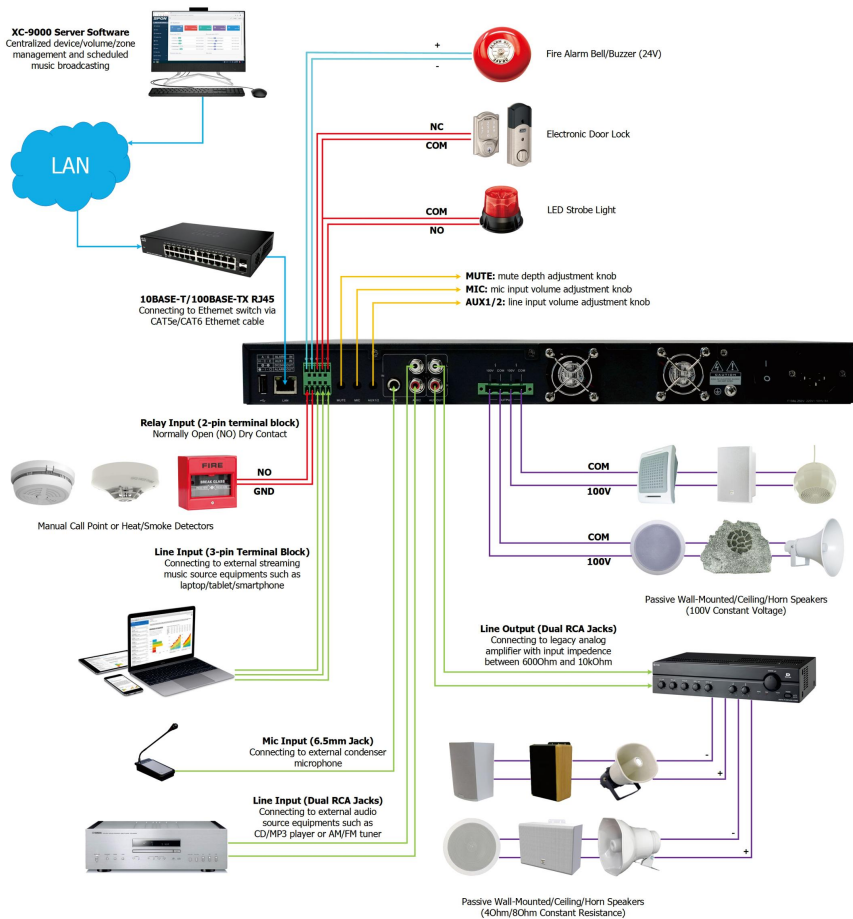
- ① **POWER:** Red light normally on when the amplifier is powered on.
- ② **STATUS:** Green light normally on when online ,red light normally on when offline.
- ③ **SIGNAL:** No light when there is no signal input ,green light normally on when there is signal input.
- ④ **CLIP:** Red light normally on when the amplifier is overloaded.
- ⑤ **PROTECT:** Yellow light normally on when the amplifier is malfunctioning.



- ① **USB port:** Reserved;
- ② **Network port:** To connect to Ethernet switch;
- ③ **DC 24V Power Relay Output:** 2-Pin pluggable terminal block (3.81mm Pitch, AWG 26-16), normally open (NO) dry contact with DC 24V power output;
- ④ **Relay Output:** 3-Pin pluggable terminal block (3.81mm Pitch, AWG 26-16), normally open (NO) or normally closed (NC) dry contact;
- ⑤ **Relay Input:** 2-Pin pluggable terminal block (3.81mm Pitch, AWG 26-16), normally open (NO) dry contact;
- ⑥ **Aux Input 01:** 3-Pin pluggable terminal block(3.81mm Pitch, AWG 26-16) (Balanced, Sensitivity/Impedance: 500mV/10kΩ);
- ⑦ **MUTE Knob:** MUTE depth adjustment knob, when the MIC input signals, it'll automatically MUTE AUX1 and AUX2, clockwise rotation will increase the MUTE depth, anticlockwise rotation will decrease the MUTE depth;
- ⑧ **MIC Knob:** Adjust the MIC input volume, clockwise rotation will increase the volume, anticlockwise rotation will decrease the volume;
- ⑨ **AUX1/2 Knob:** Adjust the Line input volume ,clockwise rotation will increase the volume, anticlockwise rotation will decrease the volume;
- ⑩ **Mic Input:** 1/4-inch (6.35mm) TRS Jack (Unbalanced, Sensitivity/Impedance: 100mV/600Ω);
- ⑪ **Aux Input 02:** Dual RCA Jacks (Unbalanced, Sensitivity/Impedance: 500mV/10kΩ);
- ⑫ **Aux Output:** Dual RCA Jacks
- ⑬ **Speaker Output 01/02 (100V):** 2-Pin Pluggable Terminal Block (7.62mm Pitch, AWG 28-12), connecting and driving 100V constant-voltage passive speakers;
- ⑭ **Cooling Fan**
- ⑮ **Ground Terminal**
- ⑯ **Power Switch**
- ⑰ **Power Input Interface**
- ⑱ **Insurance Block**



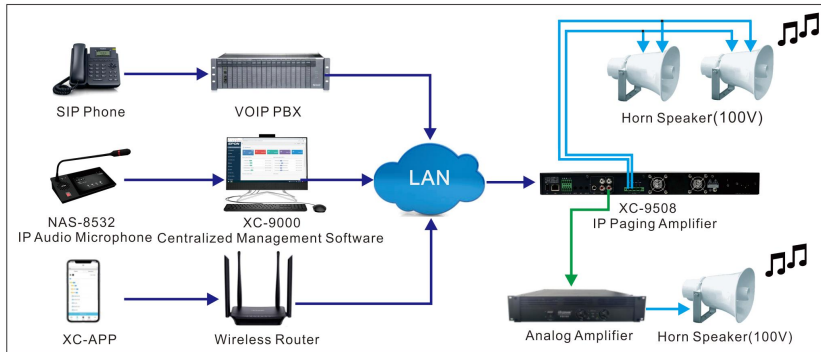
CONNECTION DIAGRAM



TYPICAL APPLICATION

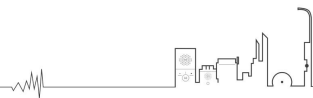
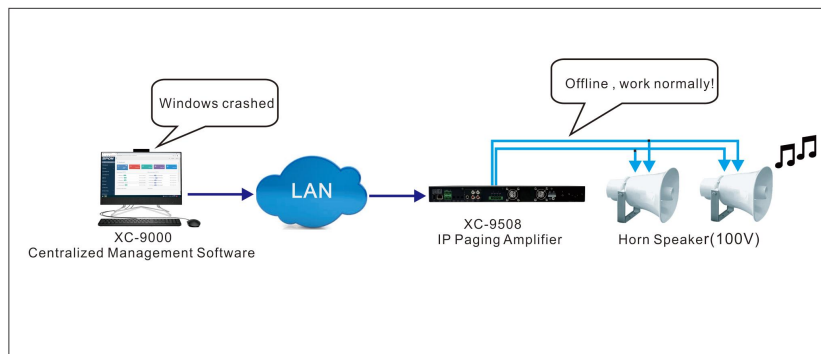
APPLICATION 1

The IP paging amplifier XC-9508 can receive real-time voice announcement initiated by the 3-rd party VOIP telephone、SPON IP paging microphone/APP(Windows、Android/IOS),etc. With built-in amplifier and line output interface, the voice can be transmitted to external passive speaker for amplification.



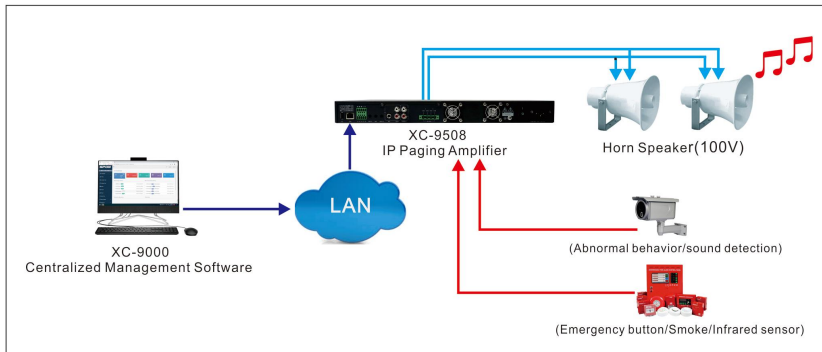
APPLICATION 2

The IP paging amplifier XC-9508 support to receive offline timed broadcasting , the offline timed tasks need to be pushed to the FTP of XC-9508, when the windwos crashed , the system can normally work .

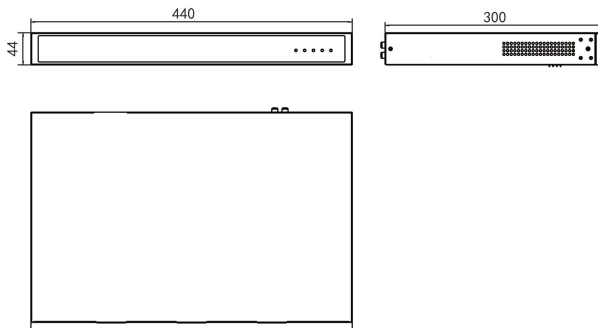


APPLICATION 3

The IP paging amplifier XC-9508 support to automatic broadcast alarm tone when receiving relay input signal from the 3-rd party system (For example ,IP camera of surveillance system 、 Emergence button of Fire alarm system) , the alarm tone need to be pre-uploaded to the FTP of XC-9508.



DIMENSION DRAWING



IP paging amplifier XC-9508 in rack-mounted installation with 4pcs of white washers head screws (M3*5). Please refer to the following dimension diagram to put device in suitable cabinet wall according to the following appearance installation dimension drawing.

