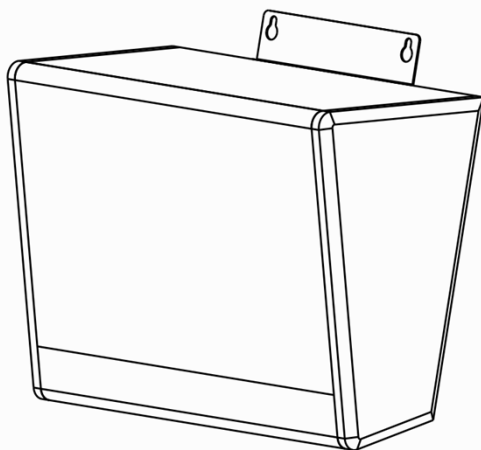




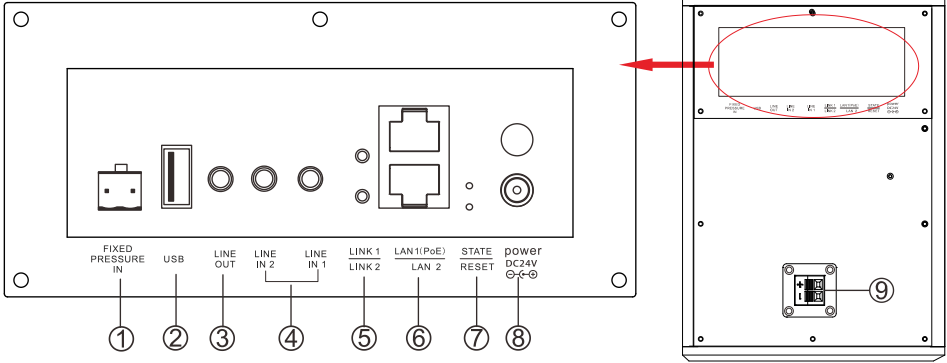
IP AUDIO SPEAKER

Installation Manual



Interface Description

Rear



- ①Constant voltage input port: supporting 100V audio input. It can automatically switch to analog constant voltage broadcasting when under abnormal network or without power (Optional)
- ②USB Port: Use for downloading program or connecting LED screen, clock. (Optional.
- ③Line output port
- ④Line input port
- ⑤Network task indicator light: After connecting cable, green light is always on if not receiving software task; The green light will flash when receiving software task.LINK1 and LINK2 is correspond to network port 1 and network port 2 separately.
- ⑥Network port: for connecting switch to assure it to be logged in the software normally.(With double network port , the first one is for POE power supplying)
- ⑦Status indicator light/ reset button
Status indicator light demonstrate the device status. The red light will slowly flash when the device is offline, while the green light will be always on when the device is online.
Reset button: Pressing it with the use of small pin, the device will broadcast device ID, IP address. 5 second long time press to reset the device.
- ⑧Power supply port: Connecting DC24V/2.7A power supply.
- ⑨Constant resistance output port: For connecting deputy speaker (30W/8Ω) ,the red presents positive, the black presents negative.

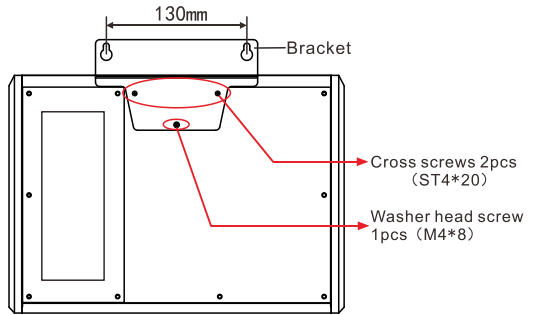
Configuring IP Audio Speaker

- 1) Please enter the IP audio speaker's IP address on the address field of your web browser (the factory default IP address is 192.168.1.101)
- 2) Enter the username and password in the web page login window (the default is "admin").
- 3) Click OK to enter the web page of the IP audio speaker.

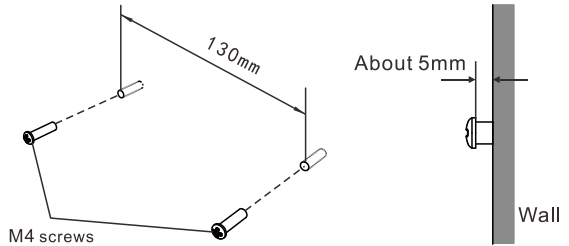
Note: please refer to the user manual for more information.

Installation Instruction

Step 1: Fix the bracket and the host. Use the two ST4*20 cross screws in the accessories to fix the two holes in the upper half of the bracket, and then fix one M4*8 washer head screw (the screw is installed on the device) to the lower hole. As shown on the right:

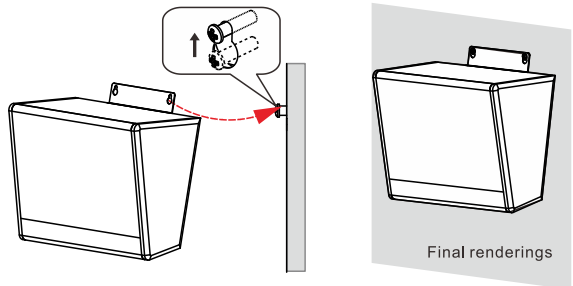


Step 2: Install two M4 screws horizontally on the wall according to the installation holes, leaving a distance of about 5mm, as shown in the right picture:



Note: The mounting screws are not standard parts.

Step 3: Hook the two gourd holes of the device on the screw heads, and then tighten the screws to make them firm and not shake. At the same time, visually check whether the installation direction is correct and whether it is tilted.



Note: When installing, please ensure the strength of the installation surface. It cannot be directly installed on a wall with insufficient strength such as gypsum board. If necessary, please fully reinforce the installation position.

Remarks: For products with wireless modules, without interference from the same frequency band, the installation height of the finished product is controlled to be $\leq 3m$. At the same time, the distance from the on-site wireless router must be $\geq 1m$.

Specification, Functional Parts and Parameters

Power Supply	DC24V/2.7A or PoE (IEEE 802.3at)
Power Output	2*30W(8Ω) / 2*7W (PoE)
Stand-by Power Consumption	≤3W
Network Protocol	TCP/IP、SIP、UDP、ARP、ICMP、IGMP
Network Transmission Rate	10/100Mbps
Audio Sampling Rate	8kHz~44.100kHz, 16bit
S/N	≥80dB
Line Output Rated Voltage	500mV
Line Input Sensitivity	LINE IN 1: 600mV LINE IN 2: 300mV
Cabinet Sensitivity	86dB (W/m)
Total Harmonic Distortion	≤0.3%, 1KHz
Frequency Response	35Hz-18kHz
Constant Voltage Input	100V
Dimensions	310*156.5*232mm
Working Temperature/Humidity	-10℃~+45℃ / 10%-90%(non-condensing)

Trouble Shooting

Fault Symptom	Causes of Failure and Troubleshooting
No sound after 2.4G connected.	<ol style="list-style-type: none"> 1. Check whether the 2.4G microphone is successfully connected: turn off the POWER switch of the wireless microphone, then turn it on and reconnect the 2.4G module. 2. Check whether the 2.4G microphone is connected to other equipment: turn off the wireless microphone POWER switch, approach the device to be connected (microphone linking according to the nearby principle), and turn on the microphone POWER switch for linking again. 3. After the connection is successful, adjust the input volume of the wireless microphone and press the + button to increase the volume.
No sound output from the amplifier when receiving broadcasting	<ol style="list-style-type: none"> 1. Check whether the terminal is online; 2. Check whether the server's terminal volume and web page broadcast output volume are 0, if so, please increase the volume.

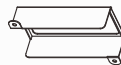
Packing List



remote control 1pcs (optional for device with wireless module)



Power Adapter 1pcs (DC24V/2.7A)



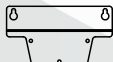
Power mounting bracket 1pcs



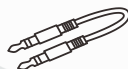
Semi-round head cross screw 2pcs (ST4*20)



Wiring port 1pcs (5.08-2P)
(It is only equipped for device with constant voltage backup)



Mounting bracket 1pcs



Double connector 3.5 audio cable 1pcs (2.5m)



Installation manual 1pcs



Certification 1pcs



Wechat

SPON Communications Co., Ltd.
www.sponcomm.com
Service Hotline: +86-731-85570190
Reserve the amendment right without notice



V3.0B230323