

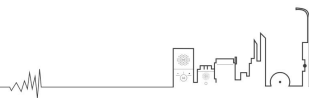
## XC-9602B IP Cabinet Speaker



SPON IP Cabinet Speaker XC-9602B adopts embedded industrial grade chip to make the startup time more faster . Built-in 5-inch woofer and 3-inch tweeter, perfectly restore vocals and music . It is mainly used for indoor environment ,such as classroom .etc

### MAIN FUNCTIONS

1. All-in-one design , Integrated with network audio decoder、 digital amplifier and speaker unit.
2. Built-in Class-D digital amplifier , provide 2×30W power output to connect with external passive cabinet speaker.
3. Support NTP automatic timing function due to its built-in clock chip.
4. Support offline broadcasting due to its built-in high-capacity flash.
5. Support local broadcasting via UHF wireless microphone.
6. Support to puch text information to external LED panel via USB port.
7. Support standard SIP protocol for easy intergration with mainstream SIP PBX(Yeastar、 Asterisk、 Cisco,etc.) .
8. Support IEEE 802.3at PoE+ interface for flexible deployment .
9. Support remote management and online upgrade .



## SPECIFICATION

### Power Parameters

---

Power Supply: AC 220V 50/60Hz, PoE+ (IEEE802.3at)

Standby Power Consumption:  $\leq 3W$

Rated Power Output:  $2 \times 30W$  (at AC 220V/50Hz powered)

$2 \times 7W$  (at PoE+ powered)

### Audio Parameters

---

Audio Codec: MP3, PCM, G.711 A-law, G.711  $\mu$ -law

Sensitivity:  $86dB \pm 3dB$  (1W, 1m)

Maximum SPL:  $92dB \pm 3dB$

S/N (Signal-to-Noise) Ratio:  $\geq 80dB$

Audio Sampling & Bit Rate:  $8kHz \sim 44.1kHz$ , 16bit, 8kbps  $\sim$  320kbps

Frequency Response:  $35Hz \sim 18kHz$

### Network Parameters

---

Network I/F: 10BASE-T/100BASE-TX RJ45

Network Protocol: SIP (RFC3261), FTP, HTTP, TCP/IP, UDP, ARP, ICMP, IGMP

Configuration Method: Web Interface or DevConfig Tool

### Mechanical & Environment Properties

---

Mounting Method: Wall-mounted

Installation Environment: Dry Indoor Locations Only

Operating Temperature:  $-10^{\circ}C \sim +45^{\circ}C$  ( $14^{\circ}F \sim 113^{\circ}F$ )

Storage Temperature:  $-20^{\circ}C \sim +65^{\circ}C$  ( $-4^{\circ}F \sim 149^{\circ}F$ )

Operating Humidity: 10%  $\sim$  90% RH non-condensing

Grille Material: Mesh Cloth

Grille Color: Off-White

Color: Off-White

Cabinet Material: SGS Certified Medium Density Fiberboard

Cabinet Color: White

Product Weight: 3.7KG

Product Dimensions: 290x215x117mm

Packaging: Carton Box

Packed Dimensions: 370x360x320mm

Packed Weight: 4.0KG

Product Warranty: 2 Years Limited

### Accessories

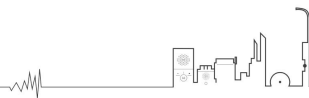
---

Standard Accessories: 1  $\times$  2-Pin Pluggable Terminal Block Connector (5.0mm Pitch,

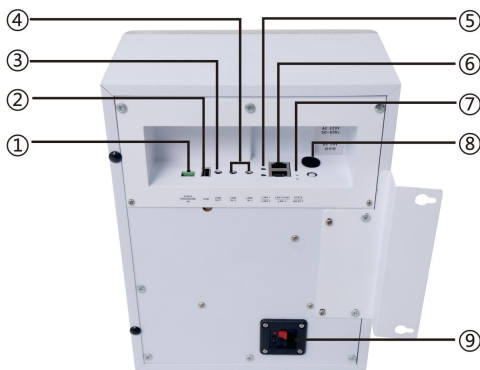
AWG 26-16)、1  $\times$  3.5mm Male to Male Stereo Audio Cable (Length: 2.5m)、

3  $\times$  Phillips Pan Head Self-Tapping Screw、3  $\times$  Plastic Self-Drilling Drywall

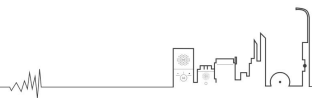
Anchors  1  $\times$  Quick Installation Guide、1  $\times$  Quality Certificate、1  $\times$  Warranty Card



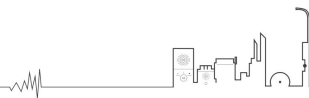
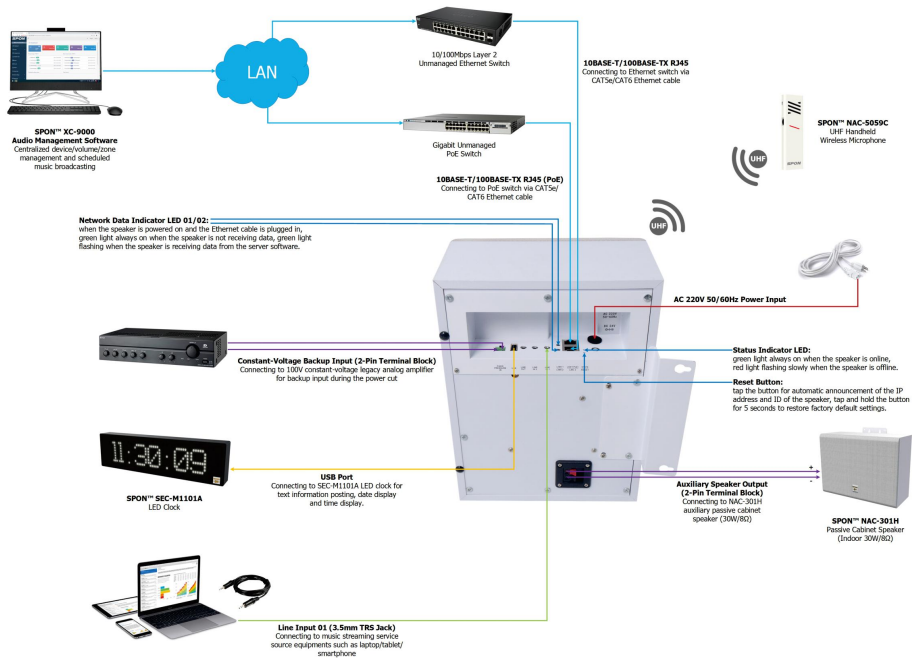
## INTERFACE DESCRIPTION



- ①**Constant-Voltage Backup Input:**2-Pin Pluggable Terminal Block (5.0mm Pitch, AWG 26-16), connecting with constant-voltage amplifier for backup input during power cut.
- ②**USB Port:**Connecting and driving SEC-M1101A LED clock for text information posting, data display and time display.
- ③**Line Output:**1/8-inch (3.5mm) TRS Jack
- ④**Line Input 01/02:**1/8-inch (3.5mm) TRS Jack (Balanced, Sensitivity/Impedance: 600mV/10kΩ □ 300mV/10kΩ)
- ⑤**Network task indicator light:**After connecting cable, green light is always on if not receiving software task; The green light will flash when receiving software task.LINK1 and LINK2 is correspond to network port 1 and network port 2 separately.
- ⑥**Network port:** For connecting switch to assure it to be logged in the software normally.(With double network port , the first one is for POE power supplying )
- ⑦**Indicators & Buttons:**2×Network Data Indicator LED, 1×Status Indicator LED, 1×Reset Button
- ⑧**Power supply port:** Connecting AC220V power supply
- ⑨**Auxiliary Speaker Output (8Ω):**Connecting and driving NAC-301H auxiliary passive cabinet speaker (30W/8Ω)



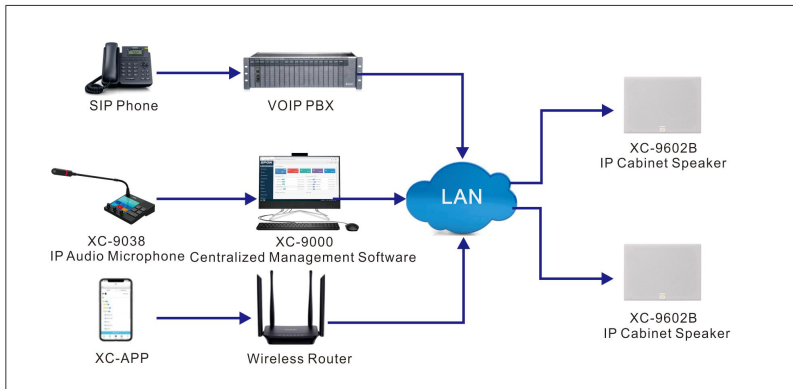
## CONNECTION DIAGRAM



## APPLICATION

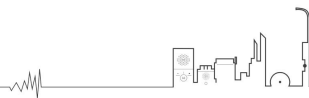
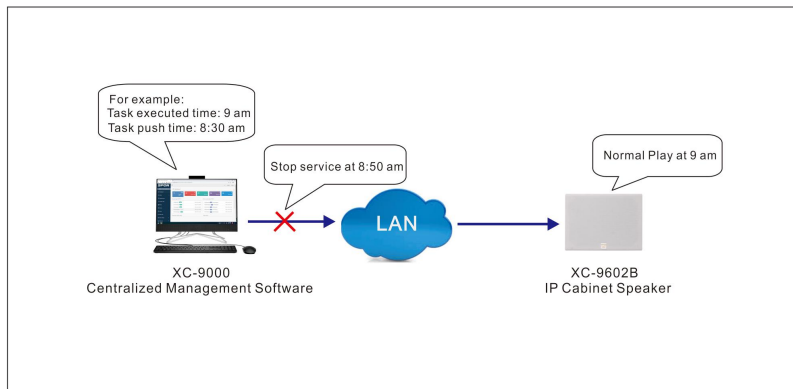
### Application 1

The IP Cabinet Speaker XC-9602B support SIP protocol which can be independently used as a sip endpoint to integrated with mainstream VOIP system for receiving sip call from SIP phone or SIP softphone ; Meanwhile , it also can receive broadcast from SPON management software 、 IP Paging Mic and XC-APP .



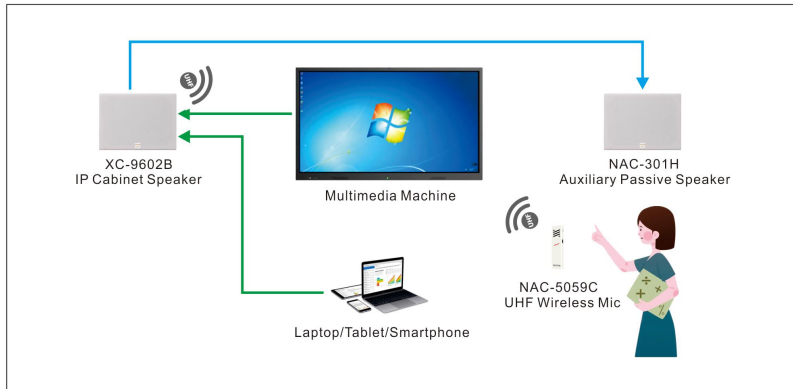
### Application 2

The IP Cabinet Speaker XC-9602B support offline broadcasting , the offline timed task need to be pushed to the speaker's FTP in advanced .



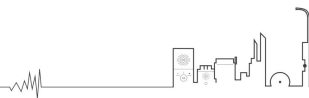
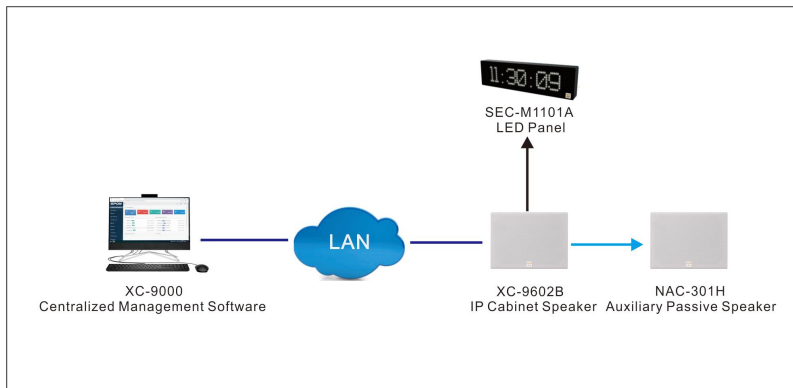
**Application 3**

The IP Cabinet Speaker XC-9602B with multiple audio interface which can be connect with external audio sources .Due to its built-in UHF wireless transceiver module , the UHF wireless mic can be connected to realize local voice teaching.

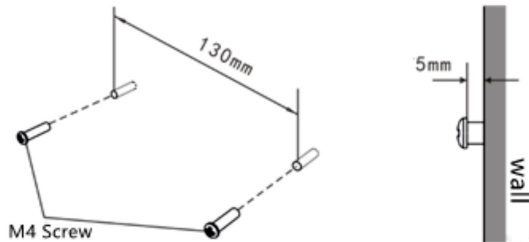


**Application 4**

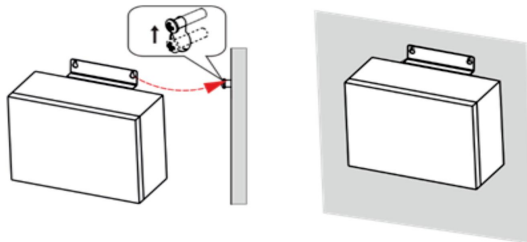
The IP Cabinet Speaker XC-9602B can be connected with LED panel for time or information release display , the information release task should be set on SPON software in advanced .



## INSTALLATION



Step 1: horizontally installing 2pcs of M4 screws to the wall according to the hole position, leaving 5mm distance, please see the above picture showing:



Step 2: please placing 2pcs of holes to hanging on the screw, and then tighten the screw to ensure fixed it well. And keep the device in horizontally installation.

