

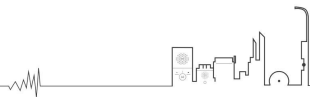
# XC-9604

## IP Echo Wall-Mounted Speaker



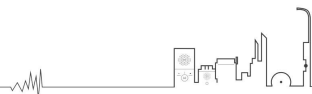
### MAIN FUNCTIONS

- Wall-mounted design.
- Integrated with network audio decoding, digital amplifier, speaker and LED clock.
- Adopting embedded industrial grade chip, with start-up time  $\leq 3$  seconds.
- Built-in stereophonic Class-D power amplifier (40W/8 $\Omega$ ), CD quality sound output.
- Bass reflex full-range speaker, aluminum alloy body design, adopting 4 $\times$ 3" full-range loudspeaker unit, perfect sound reproduction of human voice and music.
- Supporting offline bell ringing function, integrated with high-capacity SD card, being able to import timed task from the server software and automatically implement the broadcasting task when the speaker is offline.
- Supporting NTP (Network Time Protocol) automatic time synchronization function, effectively avoid timed task anomaly caused by long time offline state.
- Integrated with LED lattice display screen for time & text synchronous display, built-in clock chip for time display when the speaker is offline.
- Built-in 7 band digital audio equalizer, being able to adjust the sound effect according to the sound environment of the installation site.
- Supporting remote volume adjustment of the speaker on the server software.
- Compatible with standard SIP (Session Initiation Protocol), can be registered to VoIP telephone system (mainstream IP PBX such as Cisco, Asterisk, Yealink, etc.) independently.

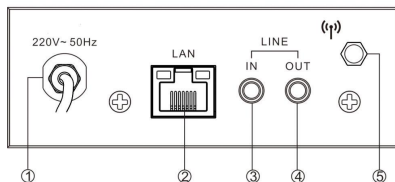


## SPECIFICATION

XC-9604		
Audio Parameters	Audio stream	Unidirectional / bidirectional Mono
	SNR	≥80db
	Frequency response	100HZ-16KHZ
	Codec protocol	MP2/MP3/PCM/ADPCM
	Audio Sampling & Bit Rate	8kHz-44.1kHz, 16bit, 8kbps-320kbps
Speaker parameters	Speaker unit	4*3 inch full frequency
	Sensitivity	86dB±3dB W/M
Amplifier parameters	Amplifier	Class D
Network parameters	Network	10/100M Network adaptive
	Security	Login password protection
	Protocol	IPv4, HTTP, TCP, UDP, IGMP, ICMP, ARP, SIP
System integration	Voice announcement	Accept voice announcement from sip phone
	VoIP	Support standard SIP protocol
	Output power	40W
	Power consumption	≅ 65W
General parameters	Shell color and material	Grey , Aluminium alloy
	Net material, surface treatment	Aluminum 、 Sandblasting oxidation
	RAM	128M
	Power	AC 220V 50Hz
	Interface	RJ45、 Power interface, Line in/out interface
	Reliability	24H/7D
	Environment	-10 °C ~45 °C
	Dimensions	1580 x 111 x 109mm
	Weight	8.27KG
	Standard accessories	1*Antenna, 2*Steel wire ropes, 4* Wire rope buckles, 1* quick installation guide, 1*certificate And warranty card
	Language	Simplified Chinese, English
	Warranty period	2 years



## INTERFACE



①Power input: AC220V / 50Hz

②LAN: Connecting to switch via network cable so that speaker can log in.

Network light status: when plugging in, the orange light is always on; when connecting with network cable, the orange light is always on and the green light is slowly flashing; when receiving network data, the orange light is always on and the green light is fast flashing.

③Line in : it can connect to other audio equipment as broadcast sound source.

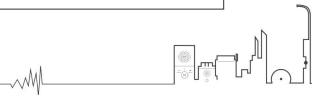
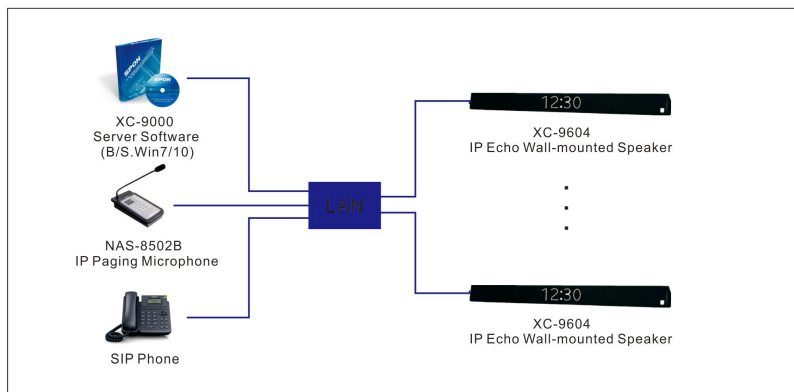
④Line out: reserved interface, no function temporarily.

⑤Antenna interface: connect 2.4G antenna.

## APPLICATION

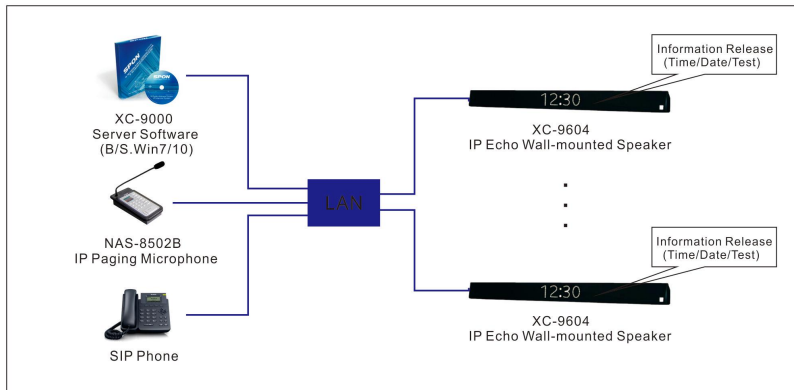
Application 1:

IP Echo wall-mounted speaker XC-9604 has built-in 40W Class D digital power amplifier, which can receive server software XC-9000, IP network paging microphone (such as NAS-8502, etc.), SIP phone initiating Broadcast and announcement .



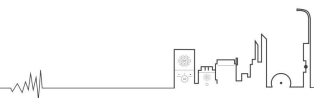
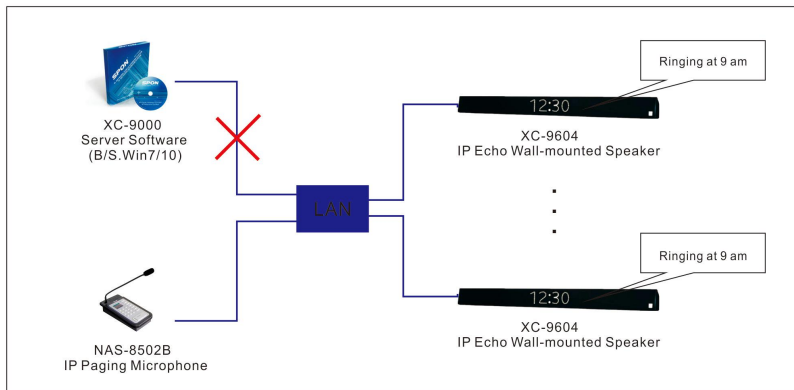
Application 2:

IP Echo wall-mounted speaker XC-9604 has built-in LED lattice display screen for time&text synchronous display .

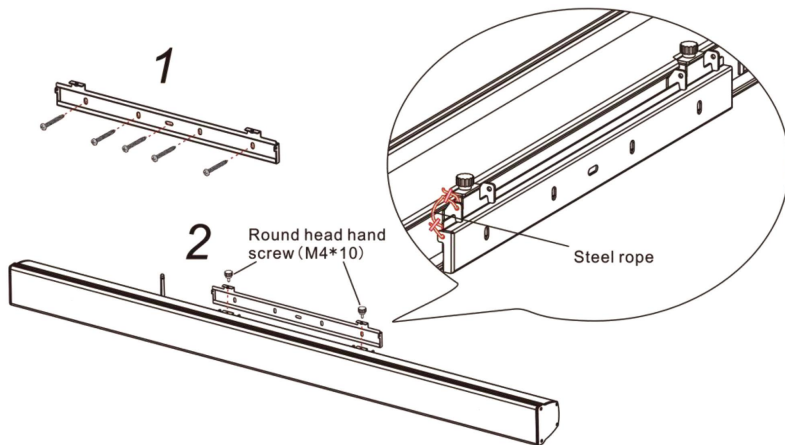


Application 3:

IP Echo wall-mounted speaker XC-9604 support offline broadcasting. When the device is offline, it can play the timing ringing task set by the server



## INSTALLATION



1) Use 5pcs M6 screws to install the bracket in a proper position; (Note: Please ensure the stability of the wall during installation, and do not directly install it on the wall with insufficient strength such as gypsum board. If not, please fully reinforce the installation position. Note: M6 screw is excluded)

2) Buckle the back of speaker into the mounting bracket and then use two M4 \* 10 round head hand screw to fix it;

3) Let steel rope go through the installation support hole and speaker support hole and then lock it.(Note: both two side of frame should be reinforce with steel rope to prevent falling risk)

