



XC-9615

Network POE Horn Speaker

SPON IP POE Horn Speaker XC-9615 is a SIP compliant and multicast-capable PoE network audio device for public address and notification, it supports common network protocols for easy integration with SIP-compatible VOIP system. It is suitable for industrial plant, prisons, parks, new rural areas and other public address areas that need simple wiring.



MAIN FEATURES

- **Performance & Encoding:**
 - Utilizes a high-speed, industrial-grade dual-core (ARM+DSP) chip for efficient processing.
 - Features both narrowband (G.711a/u) and broadband (G.722) encoding for intelligible voice paging.
- **Connectivity & System Integration:**
 - Equipped with 10 multicast addresses for receiving paging from SIP phones.
 - Multicast scalable function to conserve SIP account resources.
 - Standard SIP protocol support for easy integration with mainstream SIP PBX systems like Yeastar, Asterisk, and Cisco.
 - Onvif protocol compatibility for integration with third-party monitoring systems.
- **Audio Management & Network Functionality:**
 - Plays background music, emergency pages, and alarm signals from the SPON management system.
 - Dynamic volume control that automatically adjusts to ambient noise.
 - Supports PoE or PoE+ for flexible installation options.
 - Remote management and online upgrading capabilities for enhanced functionality.
 - Two-way communication with SIP telephones or intercom devices for interactive connectivity.

SPECIFICATION

Power Parameters

Power Supply:	DC 24V/2.7A, PoE (IEEE802.3af), PoE+ (IEEE802.3at)
Standby Power Consumption:	≤3W
Rated Power Output:	30W(@DC 24V/2.7A powered) 15W (@PoE powered) 22W (@PoE+ powered)

Audio Parameters

Audio Codec:	G.711A-law, G.711μ-law, G.722
Sensitivity:	88dB±3dB (1W, 1m)
Maximum SPL:	97dB±3dB
S/N (Signal-to-Noise) Ratio:	≥80dB
Audio Sampling & Bit Rate:	8kHz~44.1kHz, 16bit, 8kbps~320kbps
Frequency Response:	100Hz~18kHz

Network Parameters

Network I/F:	10BASE-T/100BASE-TX RJ45
Network Protocol:	SIP (RFC3261),FTP,HTTP,TCP/IP,UDP,ARP,ICMP,IGMP
Configuration Method:	Web Interface or DevConfig Tool

Mechanical&Environment Properties

Mounting Method:	Wall-mounted
Ingress Protection Grade:	IP65
Installation Environment:	Outdoor & Wet Environments When Properly Installed
Operating Temperature:	-20°C~+50°C (-4°F~122°F)
Operating Humidity:	10%~90% RH non-condensing
Body Material:	ABS Composite Plastic
Housing Material:	Surface-Treated Steel Plate
Color:	Off-White
Product Dimensions:	283.1×269×224.3mm
Product Weight:	2.0KG
Packaging:	Carton Box
Packed Dimensions:	300×300×220mm
Packed Weight:	2.5KG
Product Warranty:	2 Years Limited

Accessories

1×2-Pin Pluggable Terminal Block Connector (3.81mm Pitch, AWG 26-16)
1×Waterproof Joint
1×Quick Installation Guide
1×Quality Certificate
1×Warranty Card

Compliance

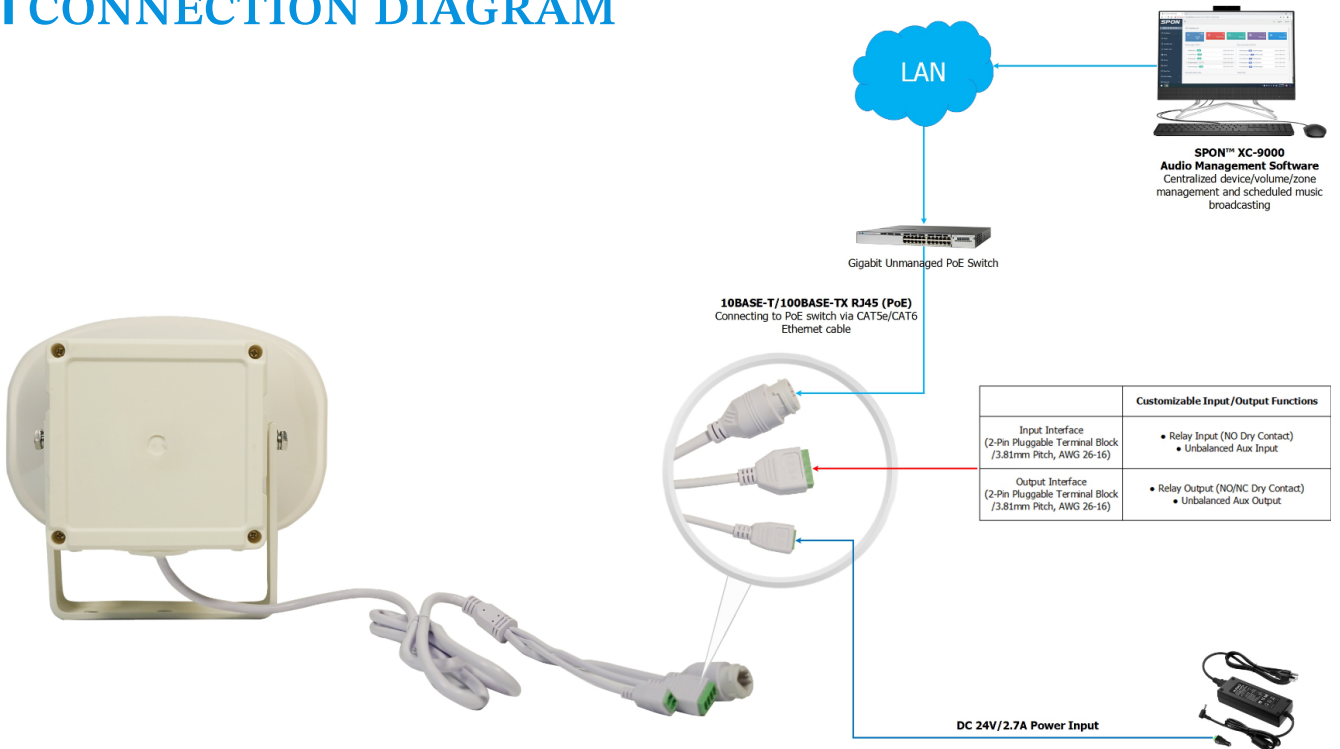
CE (EMC Directive 2014/30/EU)、CE (LVD Directive 2014/35/EU)

I PORTS DESCRIPTION

- ① **Network Port:** To connect with Ethernet switch.
- ② **Reserved Port:** 1,2 Alarm Input , 3,4 Audio Input
- ③ **Power Port:** To connect with power supply.



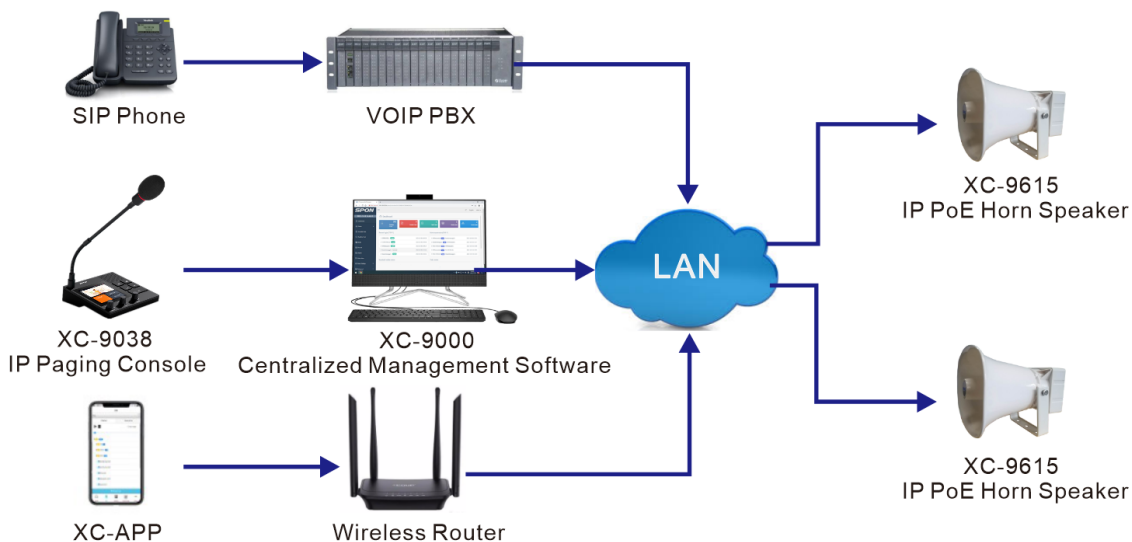
I CONNECTION DIAGRAM



APPLICATION

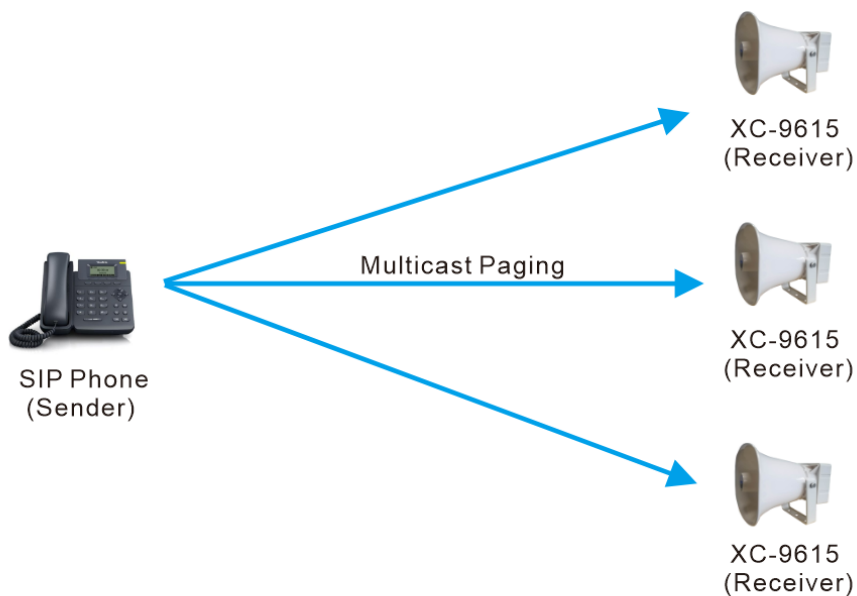
Application 1

The IP PoE Horn Speaker XC-9615 support SIP protocol which can be independently used as a sip endpoint to integrated with mainstream VOIP system for receiving sip call from SIP phone or SIP softphone ; Meanwhile , it also can receive broadcast from SPON management software 、 IP Paging Mic and XC-APP.



Application 2

The IP PoE Horn Speaker XC-9615 support paging from SIP phone by using multicast address , the multicast address and priority can be set on its webpage.

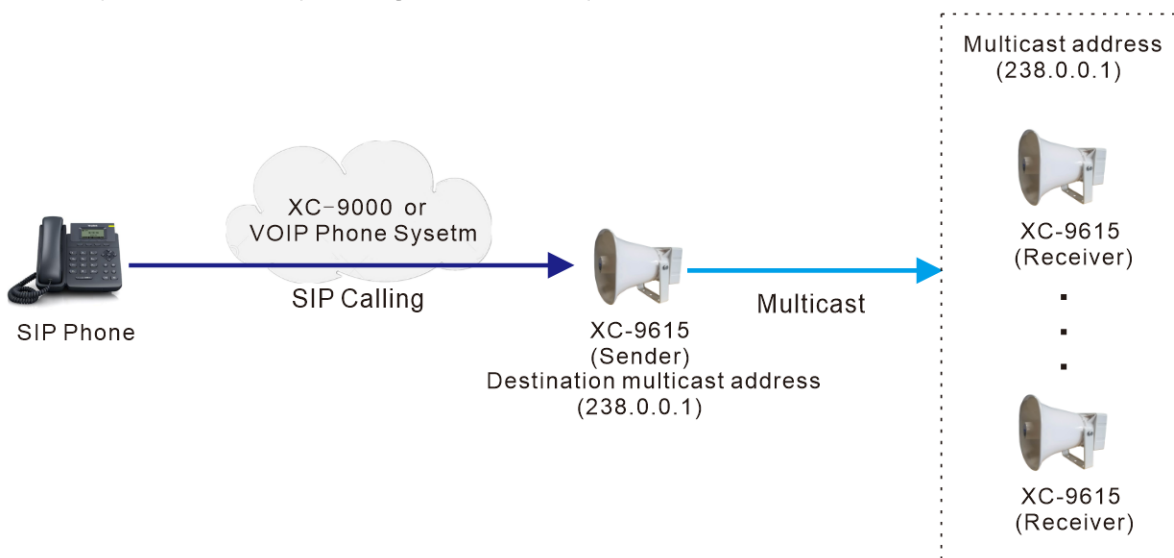


*No SIP registration required for speakers in a multicast

APPLICATION

Application 3

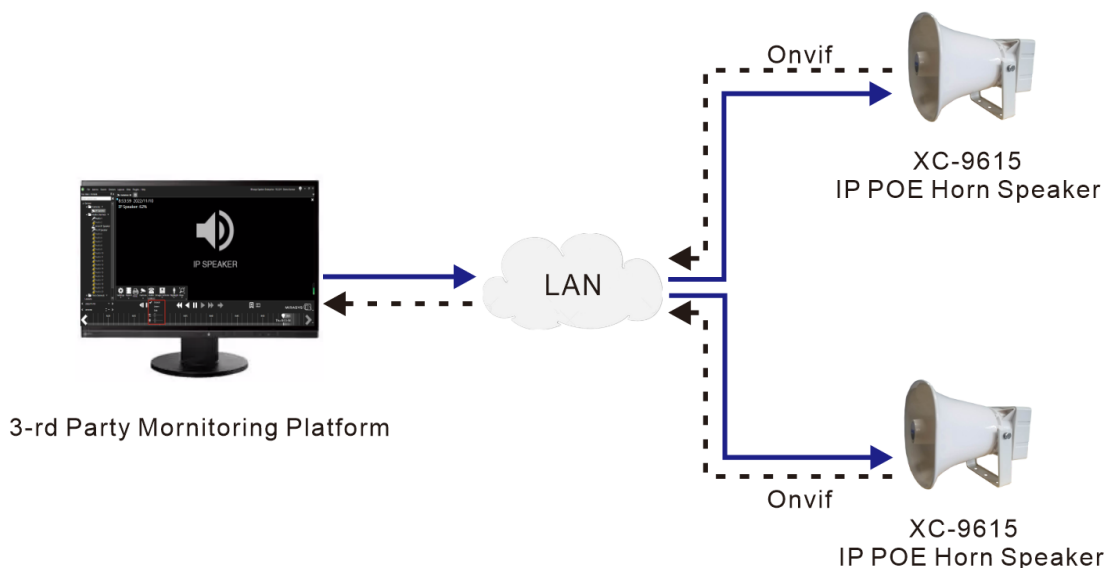
The IP PoE Horn Speaker XC-9615 support “Multicast scalable” function ,when SIP phone initiate call to one horn speaker which registered to VOIP system, the other speakers with same multicast address will simultaneously receive the sip calling from the SIP phone.



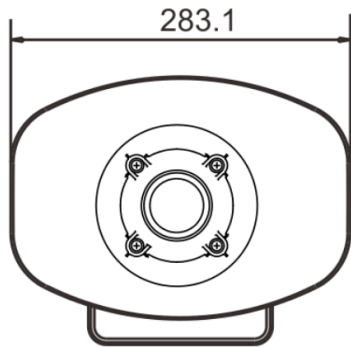
*Note: The receiver speaker no need to login to VOIP system

Application 4

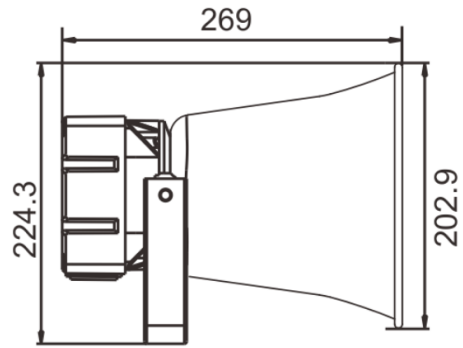
The IP PoE Horn Speaker XC-9615 support Onvif protocol which can be registered to the 3-rd party monitoring system ,and during emergency situation ,the operator can directly make a live announcement to the speaker on the monitoring platform .Due to the built-in mic , it can be live monitored by the mornitoring platform.



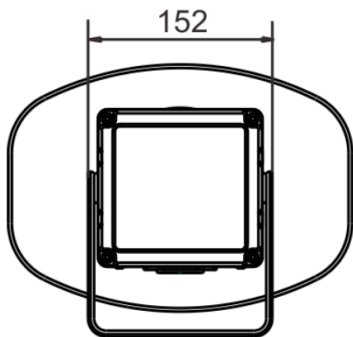
INSTALLATION



Front

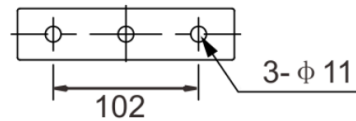


Side

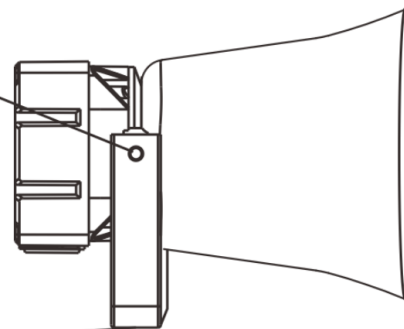


Back

Size of mounting bracket:



Adjust the appropriate projection angle, then tighten the bolt.



According to the size of the mounting hole, choose the appropriate expansion bolt to fix the bracket in the right place.

