

## XC-9621A03/A06

### IP Outdoor Column Loudspeaker



SPON IP Outdoor Column Loudspeaker XC-9621A03/A06 is a versatile loud speaker. With an IPX5 rating, it can be used externally for applications such as public address, music streaming, pre-recorded message broadcast and scheduled announcements. It is mainly suitable for Park, Playground, outdoor plaza.etc outdoor environment .

## MAIN FUNCTIONS

1. All-in-one design , integrated with network audio decoding、 digital amplifier and loudspeaker unit.
2. Support external audio source access due to its line input interface.
3. Support mobile phone Bluetooth pairing to play music streaming.
4. Support remote volume adjustment on the server software.
5. Support standard SIP protocol for easy intergration with mainstream SIP PBX(Yeastar、 Asterisk、 Cisco,etc,).
6. Support web page parameter configuration and remote firmware upgrade.
7. Support POE power supply.



## SPECIFICATION

### Power Parameters

---

Power Supply:DC24V , 1.5A(XC-9621A03) or POE ; DC24V, 2.7A(XC-9621A06)  
Power Output:30W/60W(DC24V) , 15W(POE)  
Standby Power Consumption:≤2W

### Audio Parameters

---

Audio Codec:G711u/a 、 G722 (ADPCM)、 PCM、 MP3  
Audio Sampling & Bit Rate:8kHz~44.1kHz, 16bit, 16kbps~320kbps  
S/N:≥83dB  
Frequency Response:45Hz-18KHz (±3dB)  
Sensitivity:87dB (1M/W)

### Network Parameters

---

Network I/F:10BASE-T/100BASE-TX RJ45  
Network Protocol:TCP/IP (IPv4) 、 UDP、 HTTP、 SIP  
Configuration Method:Web Interface

### Mechanical&Environment Properties

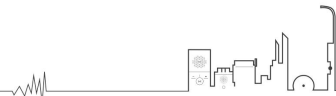
---

Mounting Method:Wall-mounted  
Installation Environment:Outdoor Locations  
Operating Temperature:-10℃~+55℃  
Operating Humidity:<90% RH non-condensing  
Shell Color&Material:White&Aluminium Alloy  
Net Color&Material:White&Steel  
Net Surface Treatment:Powder Spraying  
Bracket Material:Steel  
Product Dimensions:296\*140\*130mm(XC-9621A03),436\*140\*130mm(XC-9621A06)  
Product Weight:1.75kg(XC-9621A03) ,2.65kg(XC-9621A06)  
Product Warranty:2 Years Limited

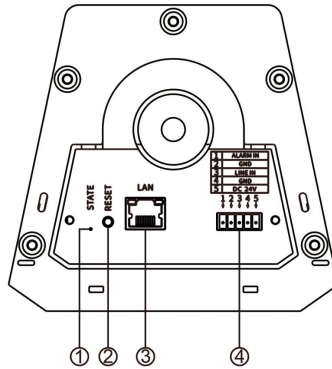
### Accessories

---

Standard Accessories:  
1×Quick Installation Guide  
1×Certificate and warranty  
1×Extension Board  
3×Screw(M8\*14)  
2×Mounting Bracket  
1×Terminal(3.5-5P)  
1×Screw Nut(M8)  
1×Gasket(M8)



## INTERFACE INTRODUCTION



### ① Status Light

Green Light Normally On	Online Status
Green Light Flashing	In the task
Red Light Flashing	Offline Status

### ② Reset Button

1. In offline status, press the RESET button will hear the device's IP address informations.  
 2. After the device is powered on, hold down the RESET button to restore the device to factory Settings.

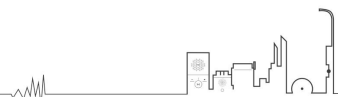
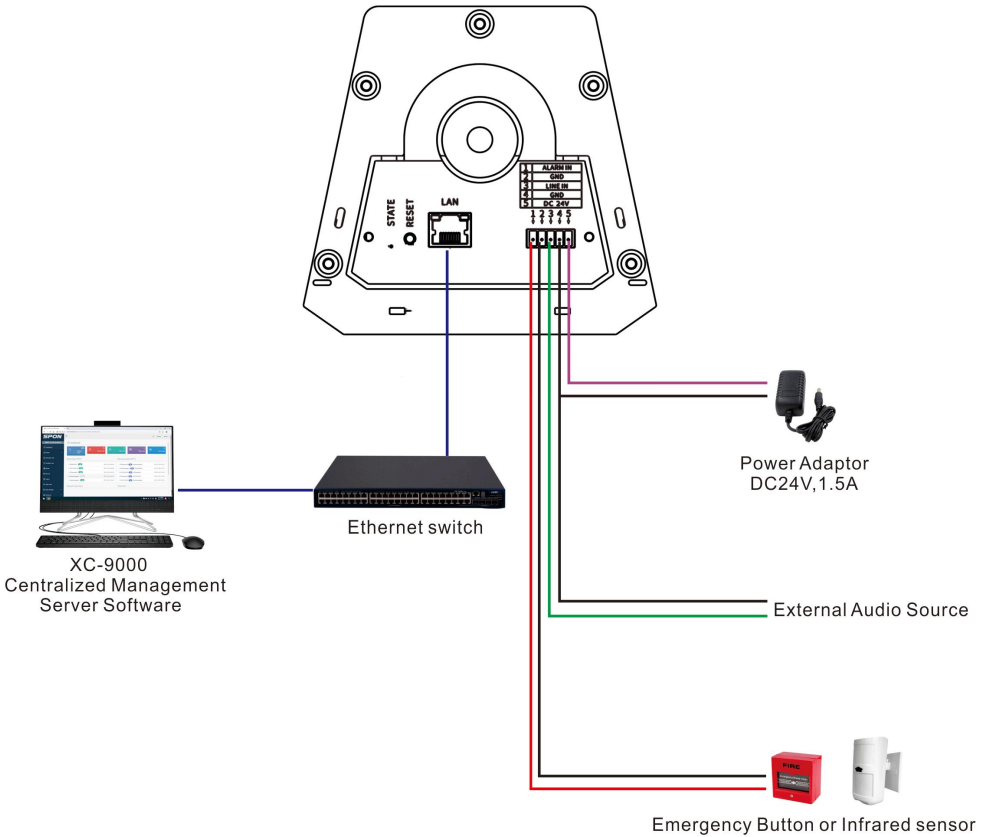
### ③ RJ45 Network Port

### ④ Integrated interface

1. Relay Input Interface
2. GND
3. Line Input Interface
4. GND
5. Power Input Interface



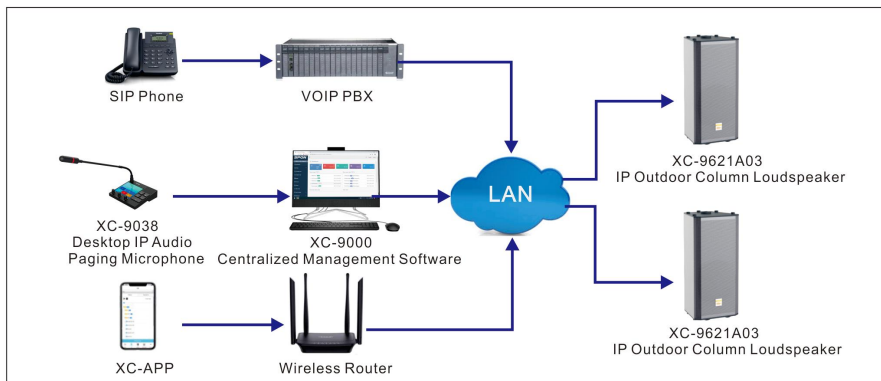
# CONNECTION DIAGRAM



## TYPICAL APPLICATION

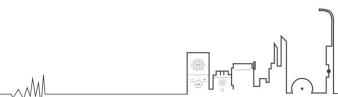
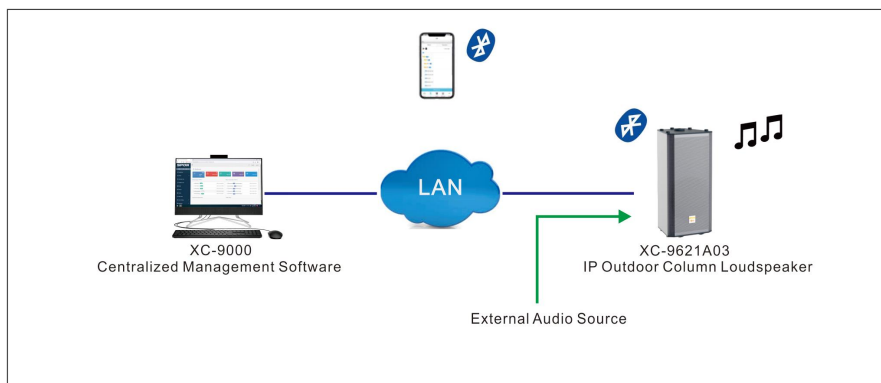
### APPLICATION 1

The IP Outdoor Column Loudspeaker XC-9621A03 can receive broadcasting from SPON management software、IP paging microphone、the third-party sip phone (Integrated with SPON software via SIP trunk).

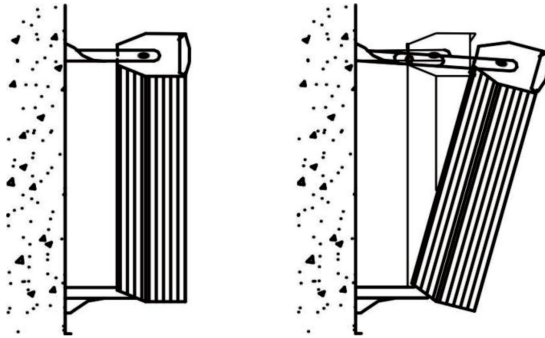


### APPLICATION 2

The IP Outdoor Column Speaker XC-9621A03 support multiple audio source broadcasting mode: to playback audio streaming from Management software、Mobile phone(bluetooth)、Line input interface.



## INSTALLATION



### Installation instructions:

Install three 8mm diameter screws at the appropriate position on the facade where the speaker is to be installed, install the bracket as shown in the figure above, and secure the speaker. If necessary, use the attached tongue to extend the upper bracket to adjust the pitch Angle of the speaker.

### Note:

The speaker shall be installed vertically (transverse installation is not allowed), with the outlet end of the power cable and network cable facing down, and do not block the drain hole (see the silk screen logo at the bottom of the machine for the location of the drain hole). The strength of the mounting surface must be ensured during installation to avoid falling risk.

